



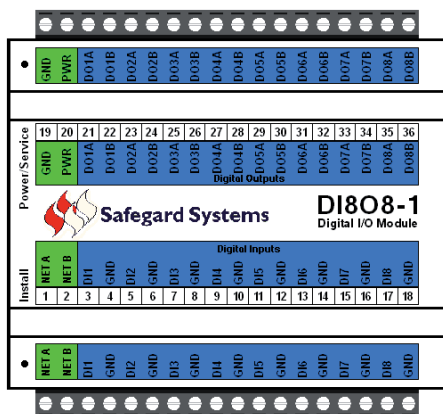
Dampers Controls Fancoils

Ruskin Air Management Limited
www.ruskinuk.co.uk



ALWAYS READ THIS DOCUMENT BEFORE INSTALLATION. PLEASE RETAIN FOR FUTURE REFERENCE.

This product forms part of a life safety system. Failure to correctly store, handle, install and maintain the product will directly put at risk the lives of the occupants and the fabric of the building.



Installation Instructions and Datasheet

DI808-1 Digital Input Output Interface

The Actionair DI808-1 module is a LonWorks® device that provides eight digital inputs and eight relay outputs.

This module is normally used to interface to local AHUs etc.

actionair

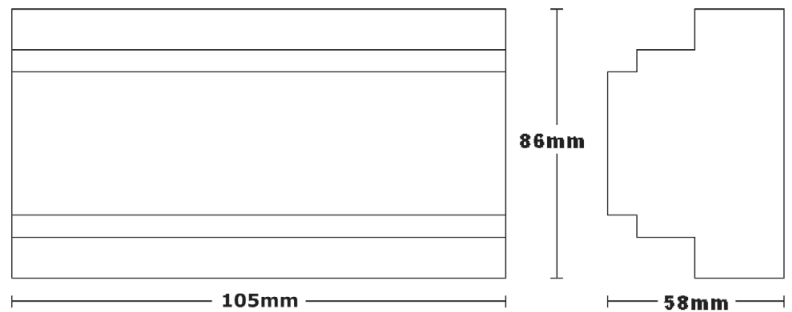
Dampers Controls Fancoils

Ruskin Air Management Limited
www.ruskinuk.co.uk

Dimensions and Mounting

The compact and robust design of the DI808-1 enclosure allows the unit to be mounted to a duct, block wall or stud wall using 35mm DIN-rail.

Ensure the DI808-1 is accessible for future maintenance purposes.



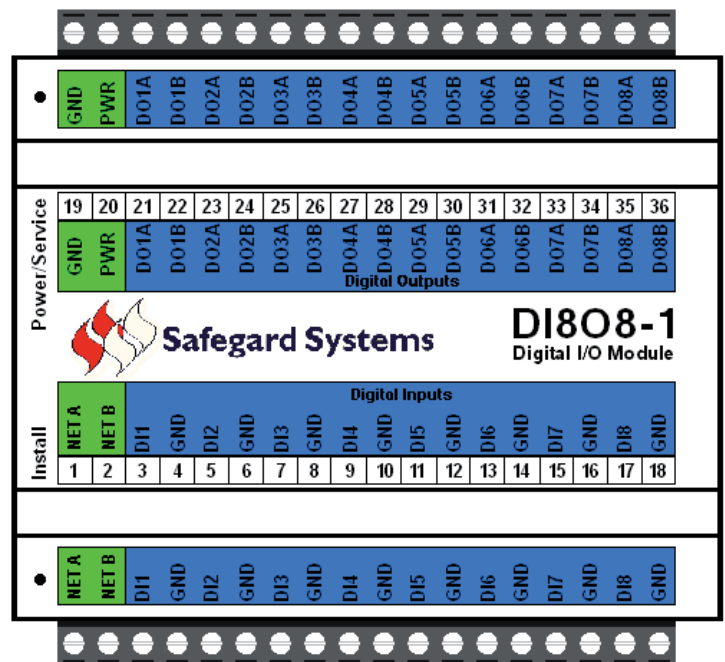
Preparation

- Only trained and qualified personnel should be allowed to install, replace or service this equipment. Installation should be in accordance with the relevant local safety standards.
- The connectors can accommodate cable diameters up to 2.5mm². It is recommended that all wires be crimped to ease installation and replacement of the product.

Installation

1. Disconnect the local supply before commencing any work on the DI808-1.
2. Wire the DI808-1 in accordance with the wiring diagram shown on page 3.
3. It is recommended that the network cables are not run alongside any high voltage or high frequency sources. Also, network cables must not be mixed on an individual network as they have very different electrical characteristics and could render the system unreliable.
4. Once wiring is complete, apply power to the DI808-1. The green power LED should illuminate to indicate the presence of power.
5. The DI808-1 is now ready to be configured using a standard LonWorks tool such as LonMaker or the Safeguard system.

Wiring Diagram



LED Behaviour

Wink function: Service LED flashes for 5s.

actionair

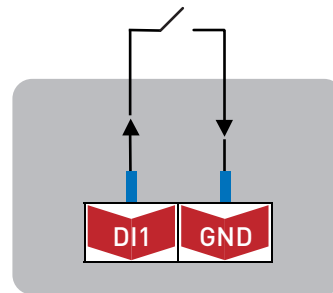
Dampers Controls Fancoils

Ruskin Air Management Limited
www.ruskinuk.co.uk

Inputs

- The volt free input connectors are as detailed.
- Wire the first input as shown across and repeat for subsequent inputs.
- Please note that inputs are not optically isolated.
- The input cable diameter should be 1mm² or 1.5mm²
- Limit cable runs to 100m and avoid running input cables near sources of mains or noisy environments.

Input Wiring

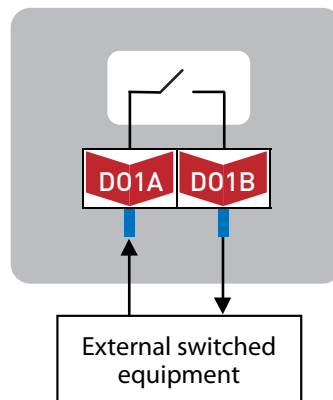


INPUT	CONNECTOR DETAILS
INPUT 1	DI1, GND
INPUT 2	DI2, GND
INPUT 3	DI3, GND
INPUT 4	DI4, GND
INPUT 5	DI5, GND
INPUT 6	DI6, GND
INPUT 7	DI7, GND
INPUT 8	DI8, GND

Outputs

- The relay output connectors are as detailed.
- Wire the first output as shown across and repeat for subsequent outputs.
- It is the user's responsibility to ensure the switched equipment is adequately protected.

Output Wiring



OUTPUT	CONNECTOR DETAILS
OUTPUT 1	DO1A, DO1B
OUTPUT 2	DO2A, DO2B
OUTPUT 3	DO3A, DO3B
OUTPUT 4	DO4A, DO4B
OUTPUT 5	DO5A, DO5B
OUTPUT 6	DO6A, DO6B
OUTPUT 7	DO7A, DO7B
OUTPUT 8	DO8A, DO8B

actionair

Dampers Controls Fancoils

Ruskin Air Management Limited
www.ruskinuk.co.uk

Specification

LonWorks

Neuron chip	FT 3150 V13, 10 MHz
Transceiver type	TP/FT-10
Service functions	Service pin, service LED and neuron ID self-adhesive tag

Supply

Input voltage	(24 ± 2.4) V AC, 50 Hz (24 ± 2.4) V DC
Maximum power consumption	5W

Inputs

Contact type	Non-isolated dry contacts
--------------	---------------------------

Outputs

Contact type	SP mechanical relay contacts
Maximum switched load	1A at 24V AC/DC

Environmental


Operating temperature	-5 °C to 70 °C
Storage temperature	-20 °C to 70 °C
Humidity	25 % RH to 90 % RH at 70 °C
Maximum altitude	2000 m

Conformance

EMC	EN 55022 EN 61000-6-3
-----	--------------------------

Enclosure

Material	Lexan 940 and Noryl V0-1550
IP rating	IP 20
Flammability	UL 94V-0
Pollution	Category 2
Dimensions	105 mm x 86 mm x 58 mm (L x W x D)

 Complies with European standards

WARNING: The responsible body shall be made aware that, if the equipment is used in a manner not specified by the manufacturer, the protection provided by the equipment may be impaired.

LonWorks, LonMark, LonMaker and the 3150 are trademarks of Echelon Corporation registered in the United States and other countries. All other trademarks are acknowledged.

Ruskin Air Management Limited

South Street, Whitstable, Kent
CT5 3DU England.
Tel: 01227 276100
Fax: 01227 264262
Email: sales@actionair.co.uk
Website: www.actionair.co.uk

actionair
Dampers Controls Fancoils