

actionair

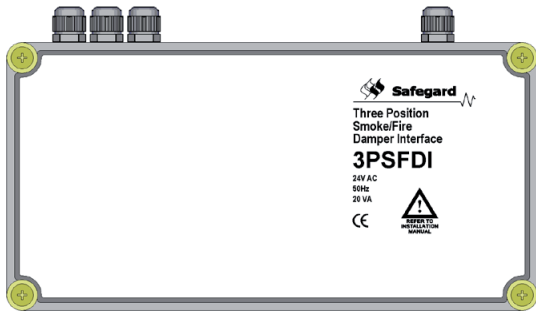
Dampers Controls Fancoils

Ruskin Air Management Limited
www.ruskinuk.co.uk



ALWAYS READ THIS DOCUMENT
BEFORE INSTALLATION. PLEASE
RETAIN FOR FUTURE REFERENCE.

This product forms part of a life safety system. Failure to correctly store, handle, install and maintain the product will directly put at risk the lives of the occupants and the fabric of the building.



The Actionair 3PSFDI provides a complete Lonworks® communication device to control a single 24V modulating actuator (spring-return or drive-open/drive-close) that incorporates two auxiliary switches.

Installation Instructions and Datasheet

Three Position Smoke Fire Damper Interface (24V AC)

actionair

Dampers Controls Fancoils

Ruskin Air Management Limited
www.ruskinuk.co.uk

Dimensions and Mounting

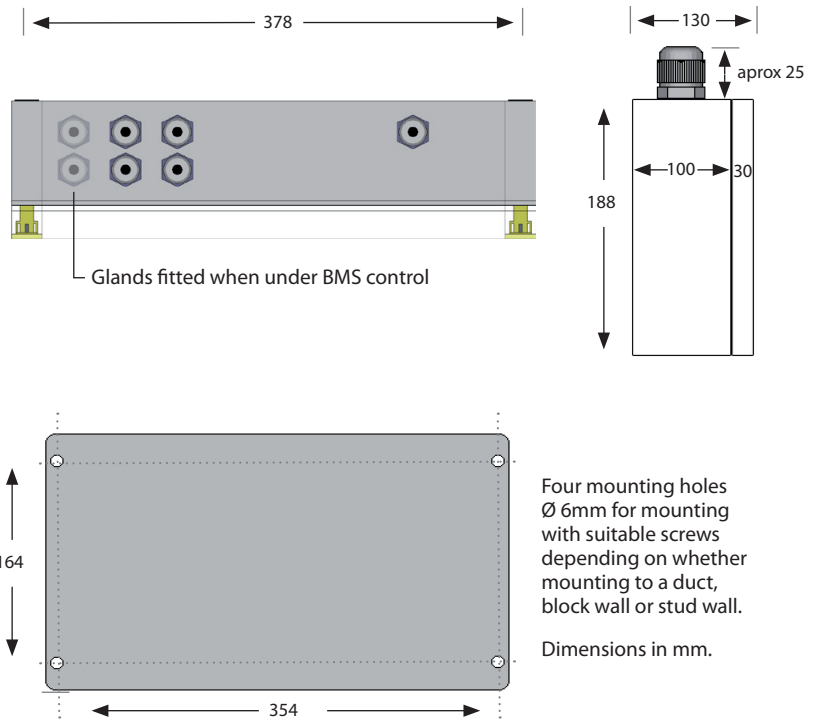
The compact and robust design of the 3PSFDI enclosure allows the unit to be mounted to a duct, block wall or stud wall.

Ensure the unit is accessible for future maintenance purposes.

Please note:

- Unused cable entries should be sealed with blind washers.
- Do not drill the enclosure as this will affect its IP rating.

Mounting Diagram



Four mounting holes
 Ø 6mm for mounting
 with suitable screws
 depending on whether
 mounting to a duct,
 block wall or stud wall.
 Dimensions in mm.

actionair

Dampers Controls Fancoils

Ruskin Air Management Limited
www.ruskinuk.co.uk

Preparation

- Only trained and qualified personnel should be allowed to install, replace or service this equipment. Installation should be in accordance with the relevant local safety standards.
- The connectors can accommodate cable diameters up to 2.5mm². It is recommended that all wires be crimped to ease installation and replacement of the product.

Installation

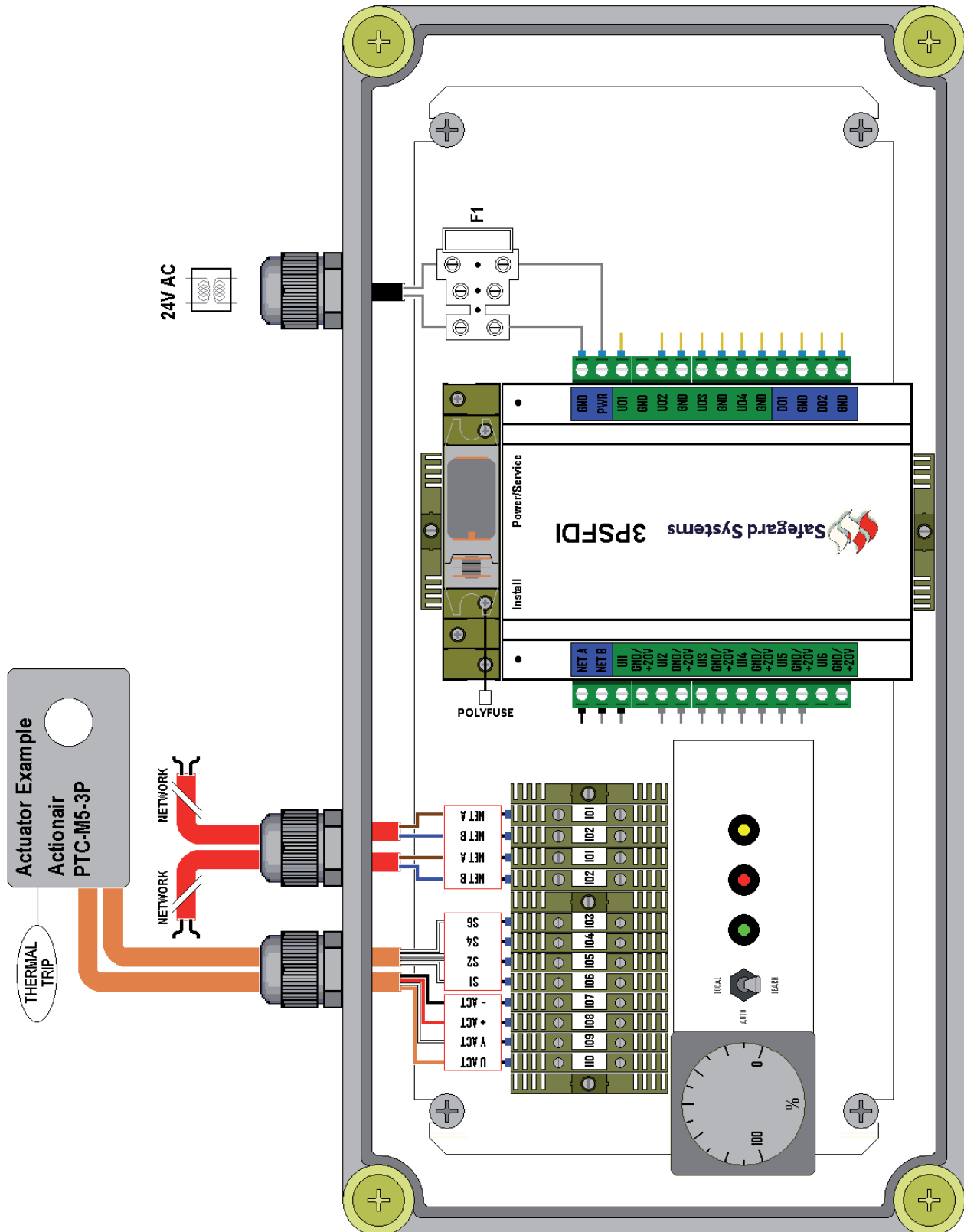
1. Disconnect the local supply before commencing any work on this equipment.
2. Wire the incoming supply in accordance with the wiring diagram shown on page 4.
3. It is recommended that the network cables are not run alongside any high voltage or high frequency sources. Also, network cables must not be mixed on an individual network as they have very different electrical characteristics and could render the system unreliable.
4. Wire the unit for the appropriate operating mode AUTO or LOCAL as shown on pages 5 & 6 respectfully.
5. Apply power to the unit and the green power LED should illuminate to indicate the presence of power.
6. The unit is now ready to be configured using a standard LonWorks tool such as LonMaker or the Safeguard system.

actionair

Dampers Controls Fancoils

Ruskin Air Management Limited
www.ruskinuk.co.uk

Wiring diagram - V3 Control

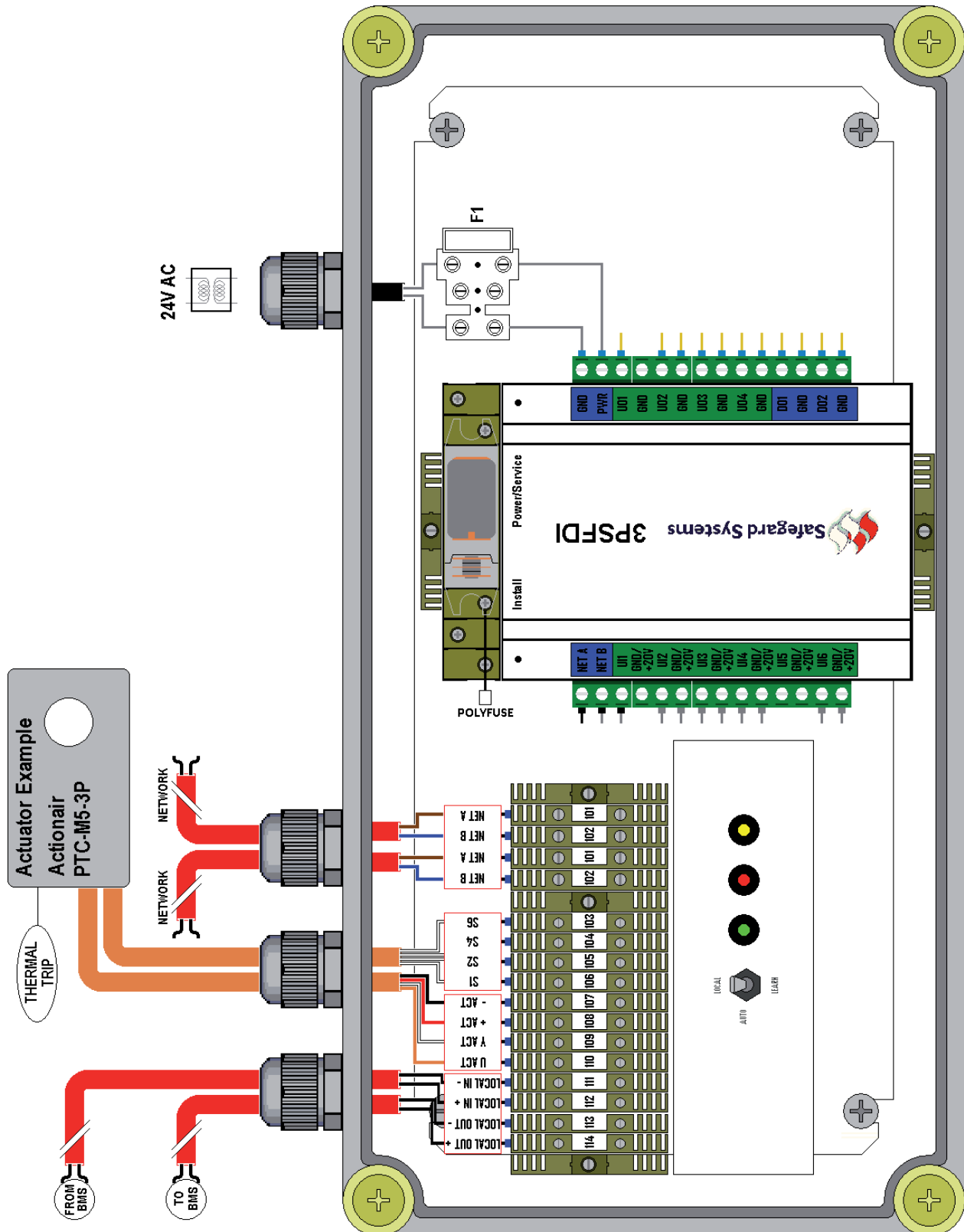


actionair

Dampers Controls Fancoils

Ruskin Air Management Limited
www.ruskinuk.co.uk

Wiring diagram - BMS Control

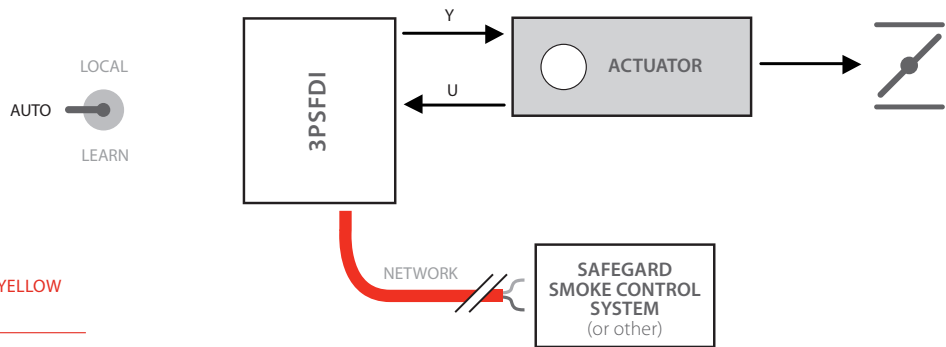


actionair

Dampers Controls Fancoils

Ruskin Air Management Limited
www.ruskinuk.co.uk

Operating Mode: AUTO

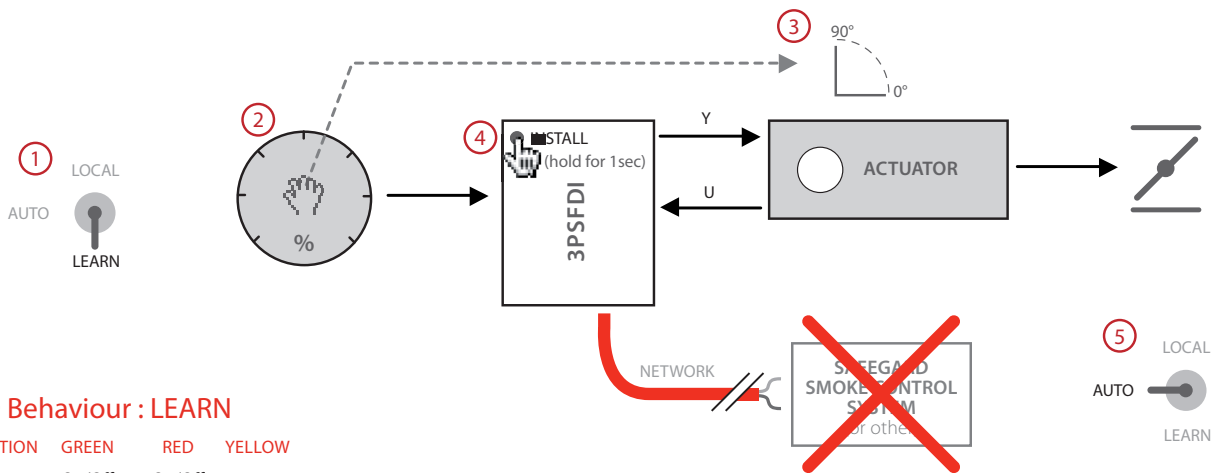


LED Behaviour : AUTO

FUNCTION	GREEN	RED	YELLOW
Open	On	Off	
Closed	Off	On	
Balanced	On	On	
Travelling	Flashing	Flashing	
Fault			Flashing
Offline	On	On	On

Wink function: Service LED (yellow) flashes for 5s

Operating Mode: LEARN



LED Behaviour : LEARN

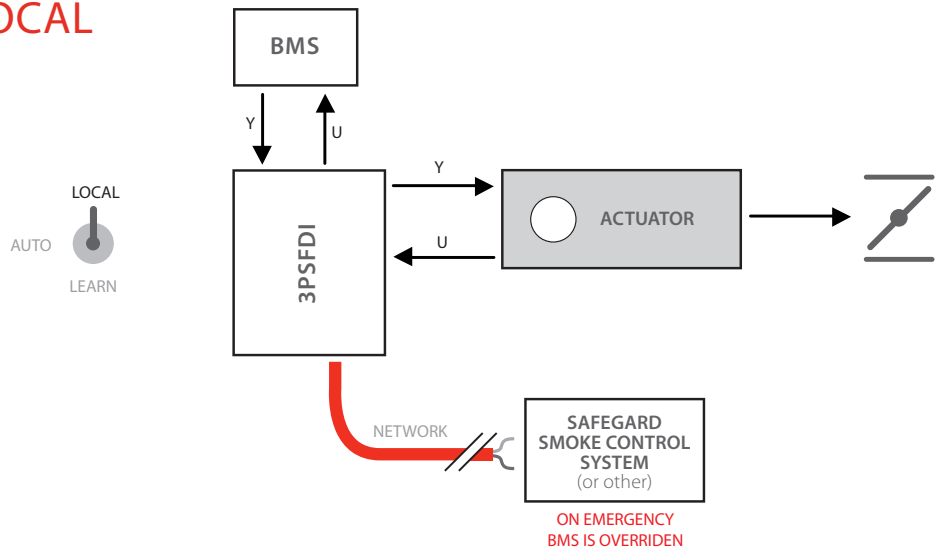
FUNCTION	GREEN	RED	YELLOW
Learn	On/Off ↔	On/Off	

actionair

Dampers Controls Fancoils

Ruskin Air Management Limited
www.ruskinuk.co.uk

Operating Mode: LOCAL



LED Behaviour : LOCAL

FUNCTION	GREEN	RED	YELLOW
Local			On

Maintenance

1AT 250 VAC (see F1 on wiring diagram)
Suggested replacement: Bussman S504 series.

Terminal Connections

TERMINAL NUMBER	DESCRIPTION
101	NETWORK A
102	NETWORK B
103	ACTUATOR S6
104	ACTUATOR S4
105	ACTUATOR S2
106	ACTUATOR S1
107	ACTUATOR POWER -
108	ACTUATOR POWER +
109	ACTUATOR Y SIGNAL
110	ACTUATOR U SIGNAL
111	LOCAL Y SIGNAL -
112	LOCAL Y SIGNAL +
113	LOCAL U SIGNAL -
114	LOCAL U SIGNAL +

actionair

Dampers Controls Fancoils

Ruskin Air Management Limited
www.ruskinuk.co.uk

Specification

LonWorks

Neuron chip	FT 3150 V13, 20 MHz
Transceiver type	TP/FT-10
Service functions	Service pin, service LED and neuron ID self-adhesive tag

Supply

Input voltage	21-28 V AC, 50 Hz
Maximum power consumption	10 W

Inputs

*Measuring voltage U	2-10 V DC
----------------------	-----------

Outputs

Maximum load	10 VA at 24 V AC
*Control Signal Y	0-10 V DC

*Maximum cable distance 10 m

 Complies with European standards

WARNING: The responsible body shall be made aware that, if the equipment is used in a manner not specified by the manufacturer, the protection provided by the equipment may be impaired.

LonWorks, LonMark, LonMaker and the 3150 are trademarks of Echelon Corporation registered in the United States and other countries. All other trademarks are acknowledged.

Environmental

Operating temperature	-5 °C to 50 °C
Storage temperature	-20 °C to 50 °C
Humidity	80 % RH to 31 °C decreasing linearly to 50 % RH at 40 °C
Maximum altitude	2000 m

Conformance

EMC	EN 55011: 1999 + A2: 2002 EN 61000-6-1: 2001
LVD	EN 61010-1: 2001

Enclosure

Material	Polycarbonate
IP rating	IP 54
Flammability	UL 94V-0
Pollution	Category 2
Dimensions (excl glands)	378 mm x 188 mm x 130 mm (L x W x D)
Dimensions (incl glands)	378 mm x 213 mm x 130 mm (L x W x D)

Ruskin Air Management Limited

South Street, Whitstable, Kent
CT5 3DU England.
Tel: 01227 276100
Fax: 01227 264262
Email: sales@actionair.co.uk
Website: www.actionair.co.uk

actionair
Dampers Controls Fancoils