

actionair

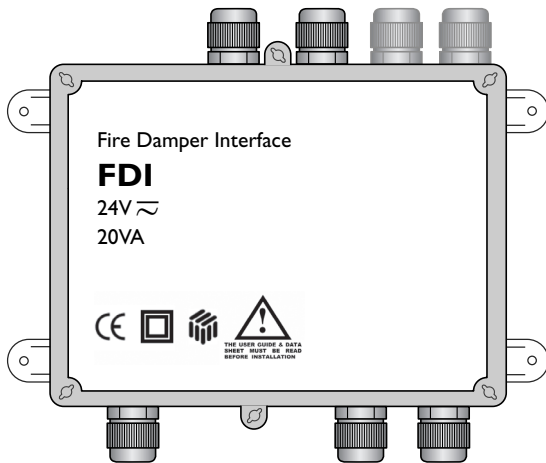
Dampers Controls Fancoils

Ruskin Air Management Limited
www.ruskinuk.co.uk



ALWAYS READ THIS DOCUMENT
BEFORE INSTALLATION. PLEASE
RETAIN FOR FUTURE REFERENCE.

This product forms part of a life safety system. Failure to correctly store, handle, install and maintain the product will directly put at risk the lives of the occupants and the fabric of the building.



Installation Instructions and Datasheet

Fire Damper Interface (24V)

The Safeguard Fire Damper Interface provides a complete LonWorks® communication device to failsafe, via an electromagnet, any spring-return fire damper. Monitoring of the open and/or closed position is optional.

Two additional auxiliary inputs are provided for interfacing to local duct smoke detectors etc.

Safeguard developed the LonMark® Functional Profile (11001) for Fire dampers and this has been adopted worldwide.



ELECTROSTATIC SENSITIVE DEVICE

actionair

Dampers Controls Fancoils

Ruskin Air Management Limited
www.ruskinuk.co.uk

Dimensions and Mounting

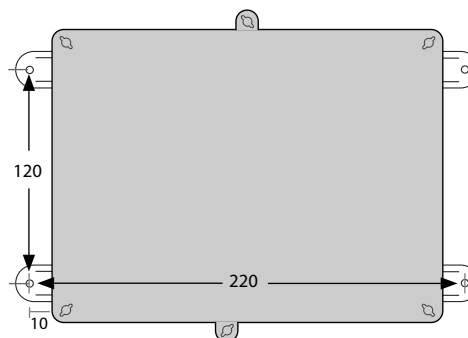
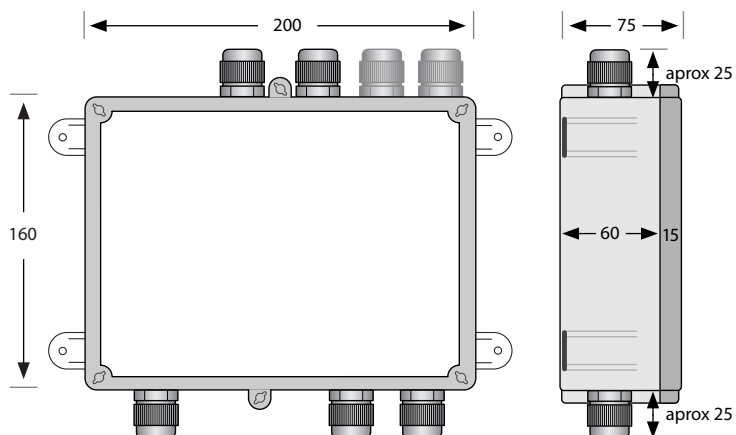
The compact and robust design of the FDI enclosure allows the unit to be mounted to a duct, block wall or stud wall.

Ensure the FDI is located close enough to the damper it is controlling/monitoring. Normally, the electromagnet leads are 1m in length. Also, ensure the FDI is accessible for future maintenance purposes.

Please note:

- Unused cable entries should be sealed with blind washers.
- Do not drill the enclosure as this will affect its IP rating.

Mounting Diagram



Four mounting holes
Ø 6mm for mounting
with suitable screws
depending on whether
mounting to a duct,
block wall or stud wall.

Dimensions in mm.

actionair

Dampers Controls Fancoils

Ruskin Air Management Limited
www.ruskinuk.co.uk

Preparation

- Only trained and qualified personnel should be allowed to install, replace or service this equipment. Installation should be in accordance with the relevant local safety standards.
- The connectors can accommodate cable diameters up to 2.5mm². It is recommended that all wires be crimped to ease installation and replacement of the product.

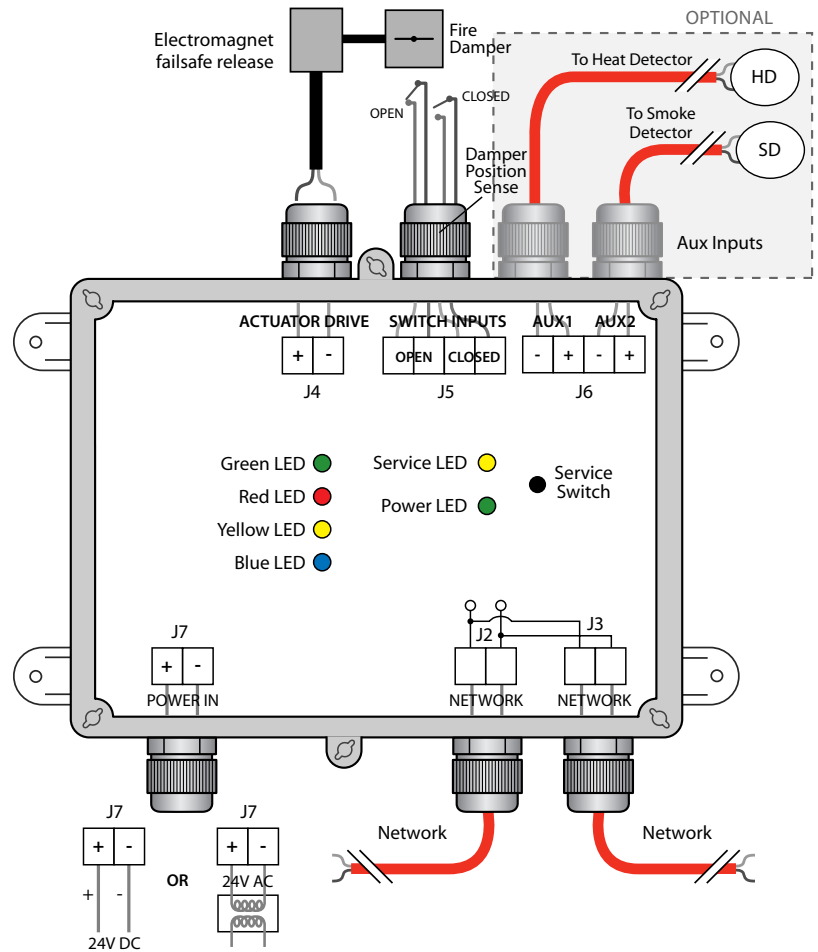
Installation

1. Disconnect the local supply before commencing any work on the FDI.
2. Wire the FDI in accordance with the wiring diagram shown across.
3. Please be aware that the switch and auxiliary inputs are not optically isolated. It is recommended that the optional detectors (smoke or heat) use failsafe open contacts to guarantee their detection in the event of a fault condition.

It is also recommended that the network cables are not run alongside any high voltage or high frequency sources. Also, network cables must not be mixed on an individual network as they have very different electrical characteristics and could render the system unreliable.

4. The electromagnet failsafe release is optional. However, if used, the electromagnet must be protected by a suitable snubber device.
5. The monitoring of the damper positions is optional.
6. Once wiring is complete, apply power to the FDI. The green power LED should illuminate to indicate the presence of power.
7. The FDI is now ready to be configured using a standard LonWorks tool such as LonMaker or the Safeguard system.

Wiring Diagram (FDI in enclosure without lid fitted)



LED Behaviour

FUNCTION	GREEN	RED	YELLOW	BLUE
Open	On	Off		
Closed	Off	On		
Travelling	Flashing	Flashing		
Fault			Flashing	
Ping				One-shot
Offline	On	On	On	On

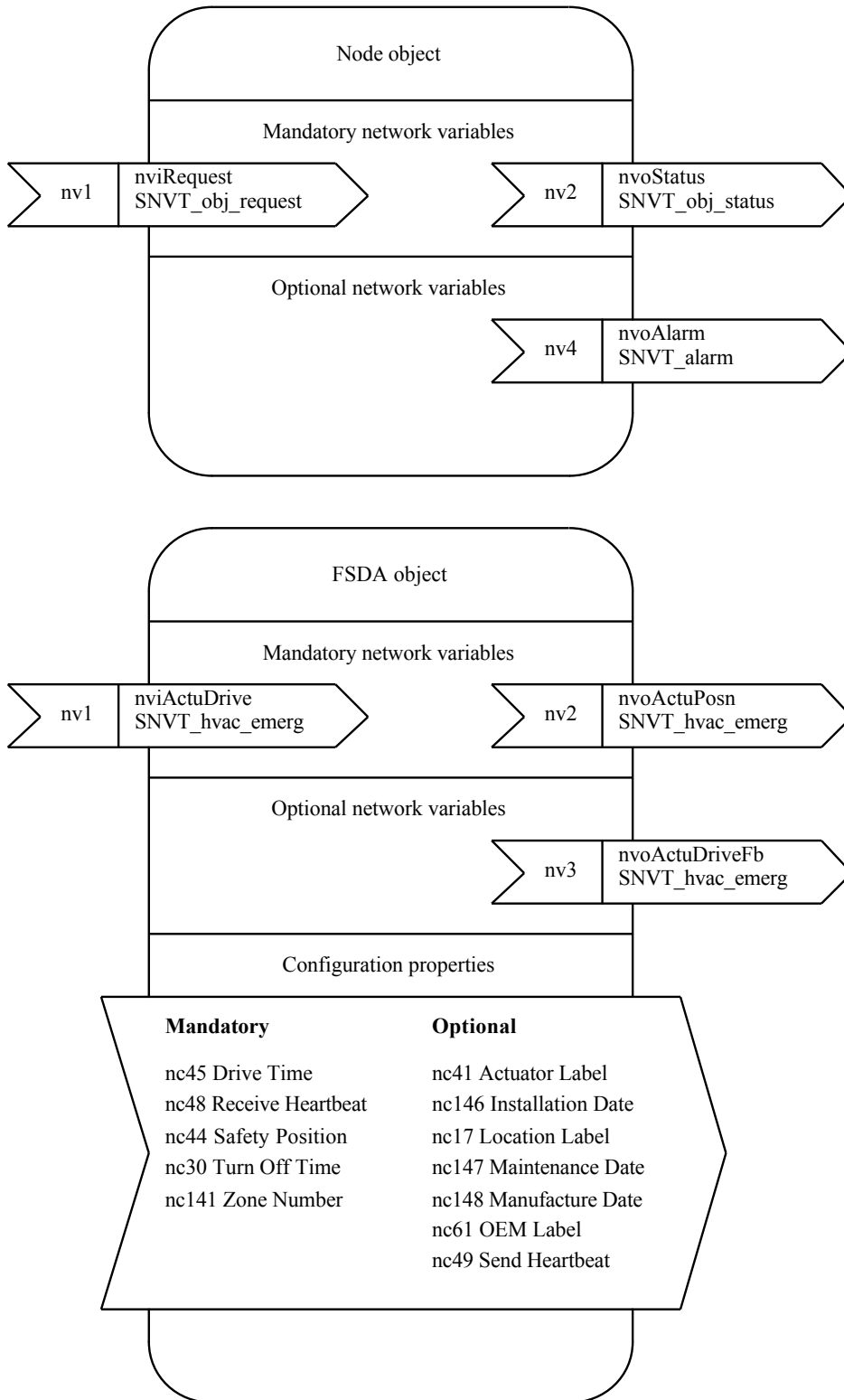
Wink function: Service LED flashes for 5s

actionair

Dampers Controls Fancoils

Ruskin Air Management Limited
www.ruskinuk.co.uk

LonMark Objects



actionair

Dampers Controls Fancoils

Ruskin Air Management Limited
www.ruskinuk.co.uk

LonWorks

Neuron chip	FT 3120-E4 V16, 5 MHz
Transceiver type	TP/FT-10
Service functions	Service pin, service LED and neuron ID self-adhesive tag

Supply

Input voltage	(24 ± 4.8) V AC, 50 Hz (24 ± 2.4) V DC
Maximum power consumption	5 W

Output

Contact type	DPCO mechanical relay contacts
Maximum switched load	20 VA

Inputs

Contact type	Non-isolated dry contacts
Sense current	19 mA at 12 V DC

Environmental

Operating temperature	-5 °C to 70 °C
Storage temperature	-20 °C to 70 °C
Humidity	25 % RH to 90 % RH at 70 °C
Maximum altitude	2000 m

Conformance




EMC	EN 50081-1: 1992 EN 61000-6-2: 1999
LonMark	11001

Enclosure

Material	ABS base with polycarbonate lid
IP rating	IP 54
Flammability	UL 94V-0
Pollution	Category 2
Dimensions (excl glands)	200 mm x 120 mm x 75 mm (L x W x D)
Dimensions (incl glands)	200 mm x 170 mm x 75 mm (L x W x D)

Note: Optional HFDI available at 300°C for 1 hour applications. Contact Safeguard Systems for details.

Symbols

-  Complies with European standards
-  IEC 60417-5172 Equipment protected throughout by DOUBLE INSULATION
-  Complies to LonMark Interoperability Guidelines (ISO 7000-0434)

WARNING: The responsible body shall be made aware that, if the equipment is used in a manner not specified by the manufacturer, the protection provided by the equipment may be impaired.

LonWorks, LonMark, LonMaker and the 3120 are trademarks of Echelon Corporation registered in the United States and other countries. All other trademarks are acknowledged.

Ruskin Air Management Limited

South Street, Whitstable, Kent
CT5 3DU England.
Tel: 01227 276100
Fax: 01227 264262
Email: sales@actionair.co.uk
Website: www.actionair.co.uk

actionair
Dampers Controls Fancoils