

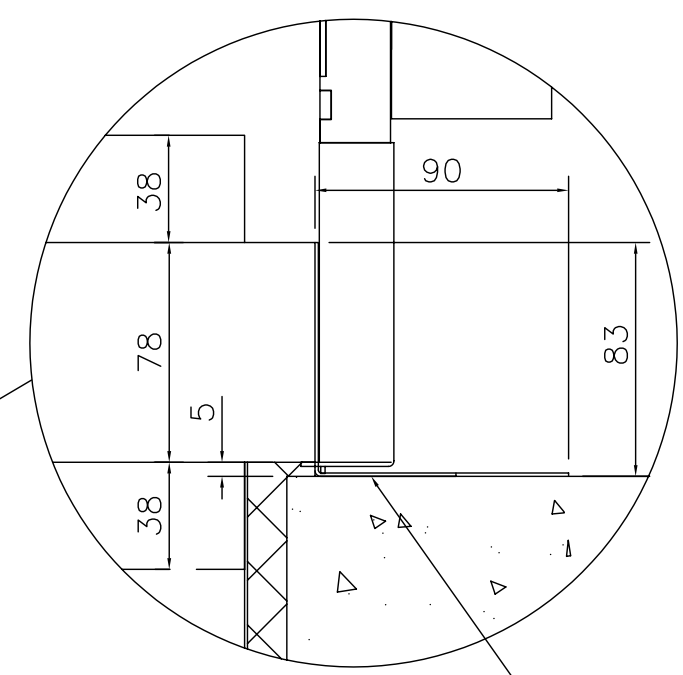
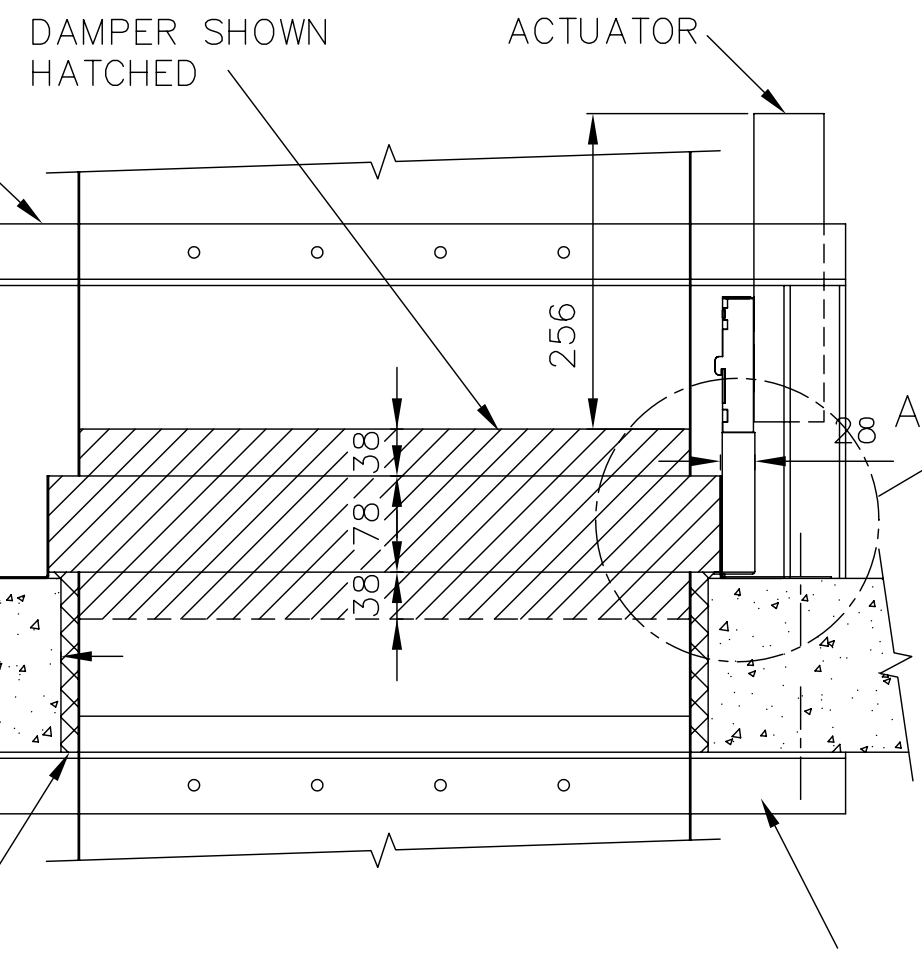
GOAL POST STEEL SUPPORTS, SUPPORTING DUCT, ON TWO SIDES.

FIRE RATED ALL STEEL M8 SHIELD ANCHORS, AT MAXIMUM 400MM CTRS, MINIMUM 2 FIXINGS PER SIDE.

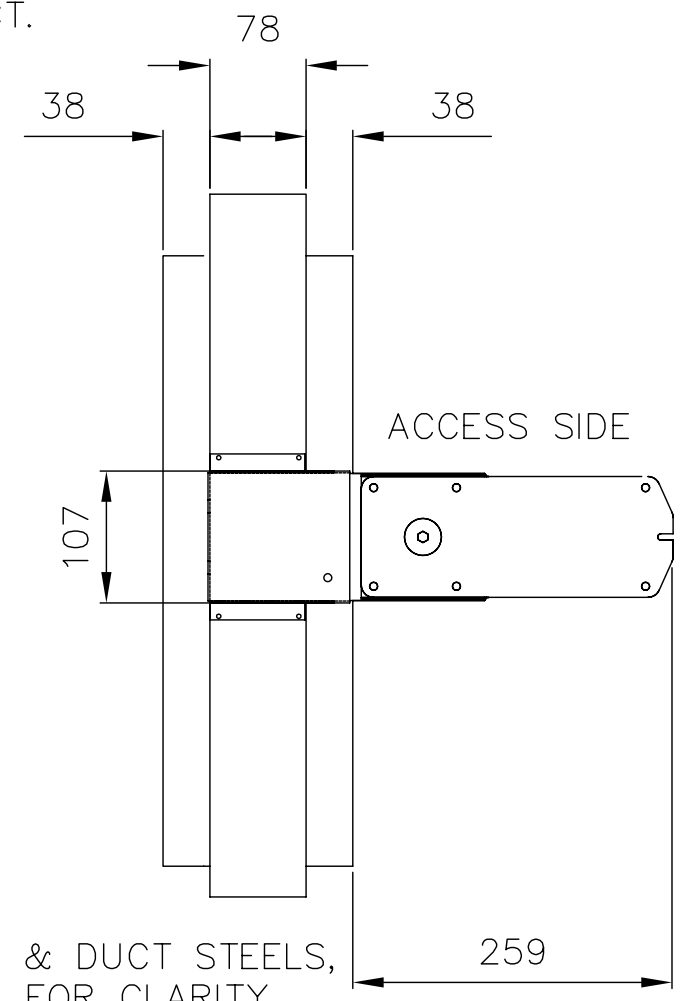
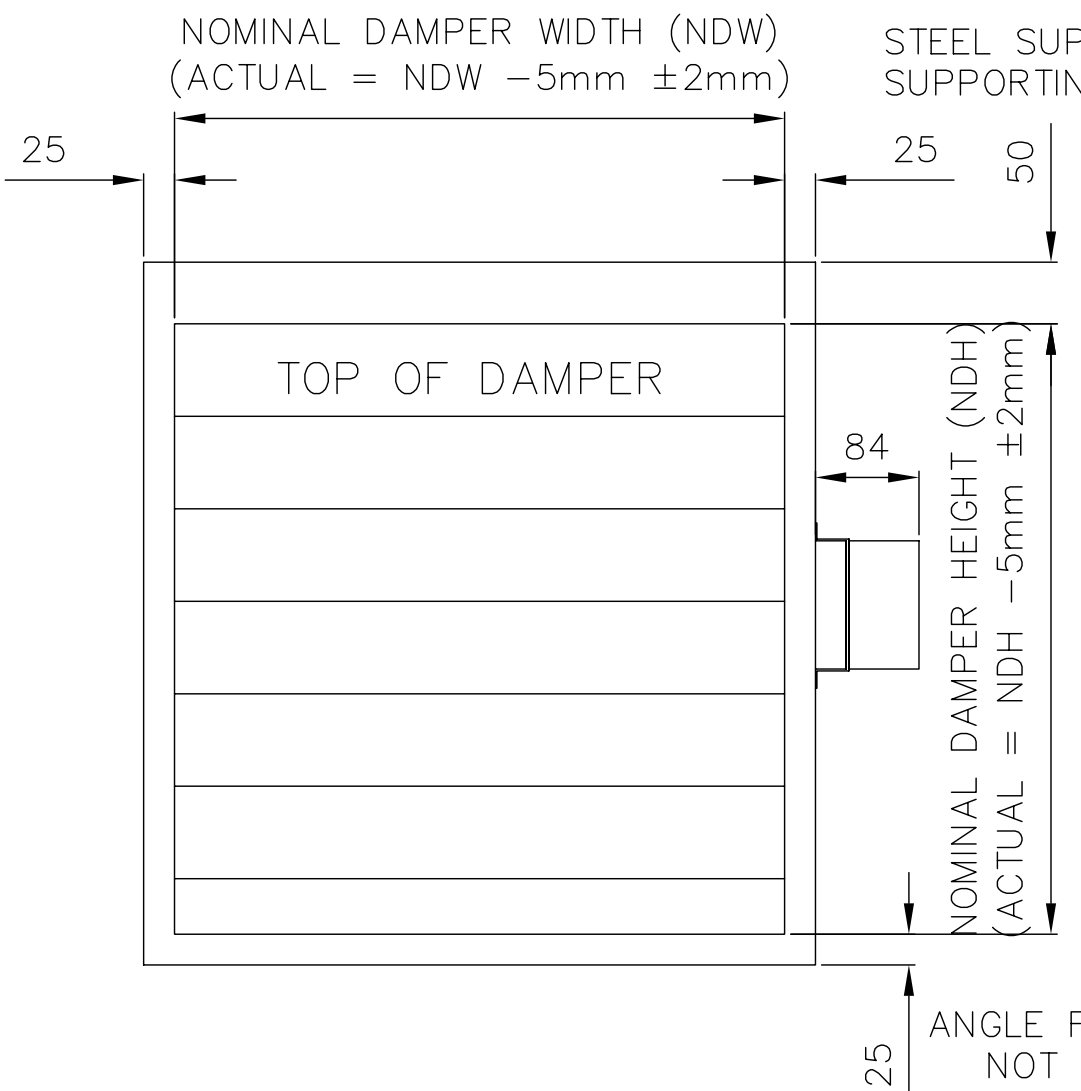
75mm MIN, OR FIXING MANUFACTURER'S RECOMMENDATIONS

GAPS BETWEEN DUCT, FLOOR SLAB & DAMPER/FRAME, 15mm MAXIMUM.

NON-COMBUSTIBLE FIRE STOPPING MATERIAL BETWEEN DAMPER SLAB DAMPER/DUCTING. E.G. MINERAL WOOL WITH DENSITY GREATER THAN 80KG(MTR³).



1.2mm GALVANISED PERIPHERAL FLANGE, ALL ROUND, TACK WELDED TO DAMPER CASING (50mm MAX FROM ENDS, 150mm MAX CTRS, BOTH SIDES) OFFSET 5mm FROM CASING TO FACILITATE SAFE CONNECTION OF SNAP LOCK INTERFACE



ANGLE FLANGE & DUCT STEELS, NOT SHOWN FOR CLARITY.

Notes:

IMPORTANT:
THE DUCT WORK MUST NOT BE SUPPORTED BY THE DAMPER, EXTRA STEEL SUPPORTS REQUIRED, BY OTHERS, AS PER BSRIA APPROVED INSTALLATION METHOD. (DETAILED ON DWG AA/F 8020, FOUND ON OUR WEB SITE)

THIS METHOD WOULD BE SUBJECT TO THE SCRUTINY AND APPROVAL FROM THE RELEVANT DISTRICT SURVEYOR / LOCAL AUTHORITY PRIOR TO APPROVING AND ORDERING THE PRODUCT DETAILED IN THIS DRAWING. THIS DRAWING IS NOT INTENDED TO ENDORSE THE ARRANGEMENT AS BEING SUITABLE FOR IT'S INTENDED APPLICATION.

THE INFORMATION SHOWN IS SUBJECT TO CHANGE WITHOUT NOTICE DUE TO CONTINUING RESEARCH AND DEVELOPMENT.

SPECIAL INTERFACE BLANKING PLATE SUPPLIED BY ACTIONAIR (SF027 MODIFIED)

Rev	Change	In	Dates
A	DUCTWORK STEEL SUPPORTS SHOWN ON SECTION VIEW	S.W.	12/12/2005
	Drawn By	S.W.	06/12/2005
	Checked By		
	Approved By		
	Customer	N/A	
	Project	N/A	
	Title		

Drawing No.	Revision
AAF 9772	A