

actionair
 © RUSKIN AIR MANAGEMENT LIMITED
 South Street, Whitstable
 Kent CT5 3DU
 Telephone: 01227 276100
 Facsimile: 01227 264262
 www.actionair.co.uk

Notes:

MATSUSHITA 'V' TYPE MODEL
 ABV161261
 MINIATURE SIZE (33X10.3X15.9MM)

ELASTOMER DOUBLE MOLDING
 BODY, SEALED CONSTRUCTION FOR
 USE IN ADVERSE ENVIRONMENT -
 SEALED CONSTRUCTION BY EPOXY
 RESIN & RUBBER CAP KEEPS OFF
 DUST CONFORMING TO IP67 OF IEC
 PROTECTIVE CONSTRUCTION
 CLASSIFICATION.

UL/CSA/VDE/SEMKO APPROVED.

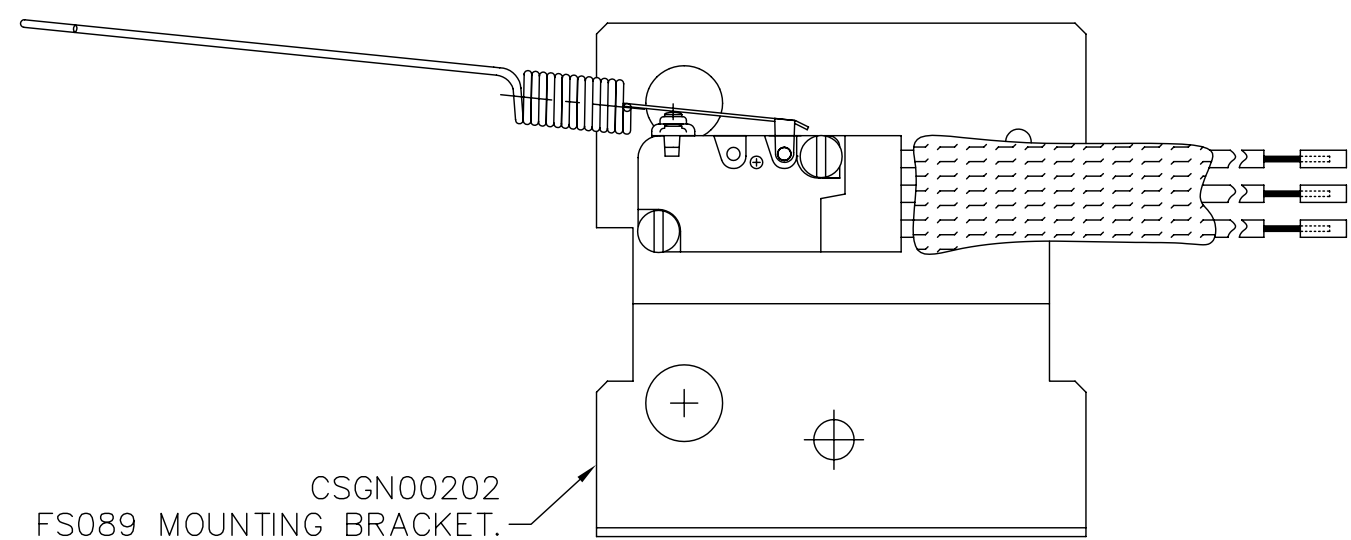
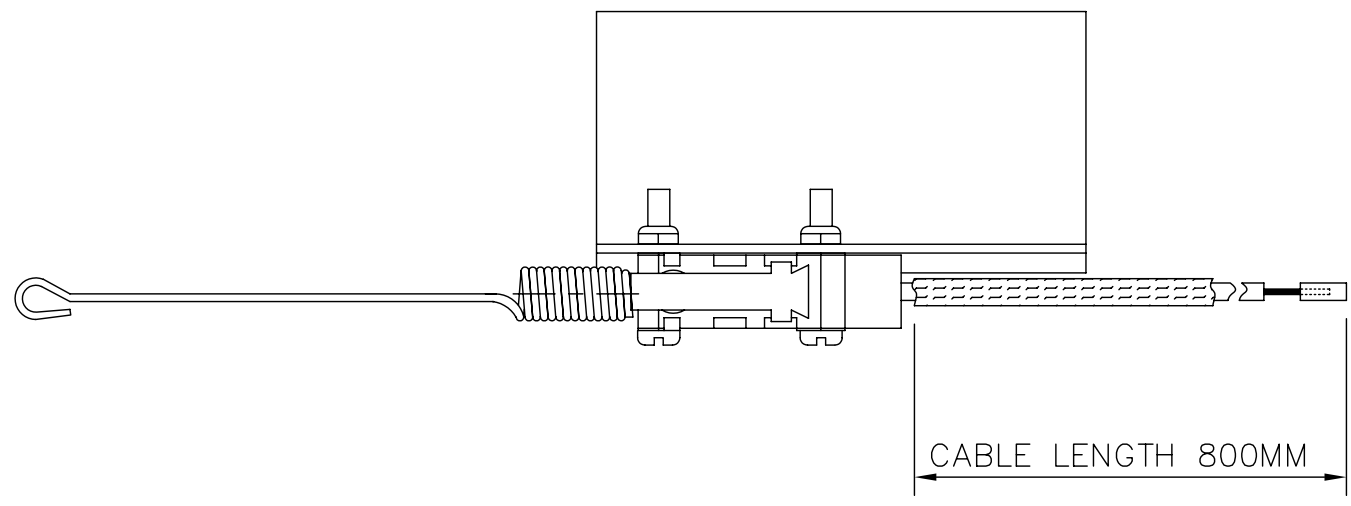
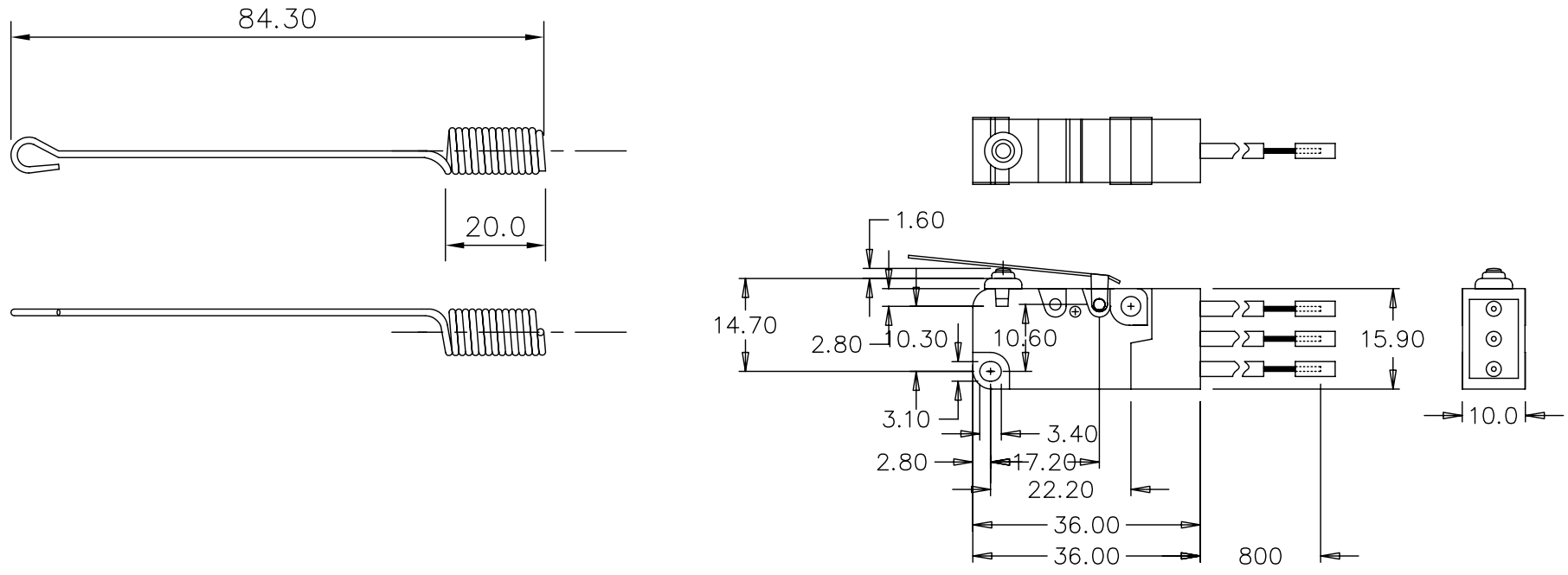
GOLD-CLAD CONTACT
 STANDARD RATING 3A 250V AC
 LOW-LEVEL RATING 5MA 6 V DC
 2MA 12 V DC
 1MA 24 V DC
 AMBIENT TEMPERATURE (AT NO
 LOAD)
 -40°C TO +85°C

Rev	Change	Initials	Dates
A	CABLE DETAILS ADDED	S.W.	29/06/05

Drawn By	L.M.	15/07/02
Checked By	L.M.	24/11/05
Approved By	S.W.	12/12/05
Customer	.	
PART #	DN NN00324	

Title
'M' TYPE MICRO SWITCH

Drawing No. **AA/F 9398** Revision **A**



- RED = N. CLOSED
- WHITE = N. OPEN
- BLACK = COM