

actionair

©RUSKIN AIR MANAGEMENT LIMITED
 South Street, Whitstable
 Kent CT5 3DU
 Telephone: 01227 276100
 Facsimile: 01227 264262
 www.actionair.co.uk

Notes:

1, FOR WIRING DIAGRAM & PART NUMBERS, REFER TO DRAWING AA/F 1498

2, 6.35mm ϕ HOLES REQUIRED FOR LED'S

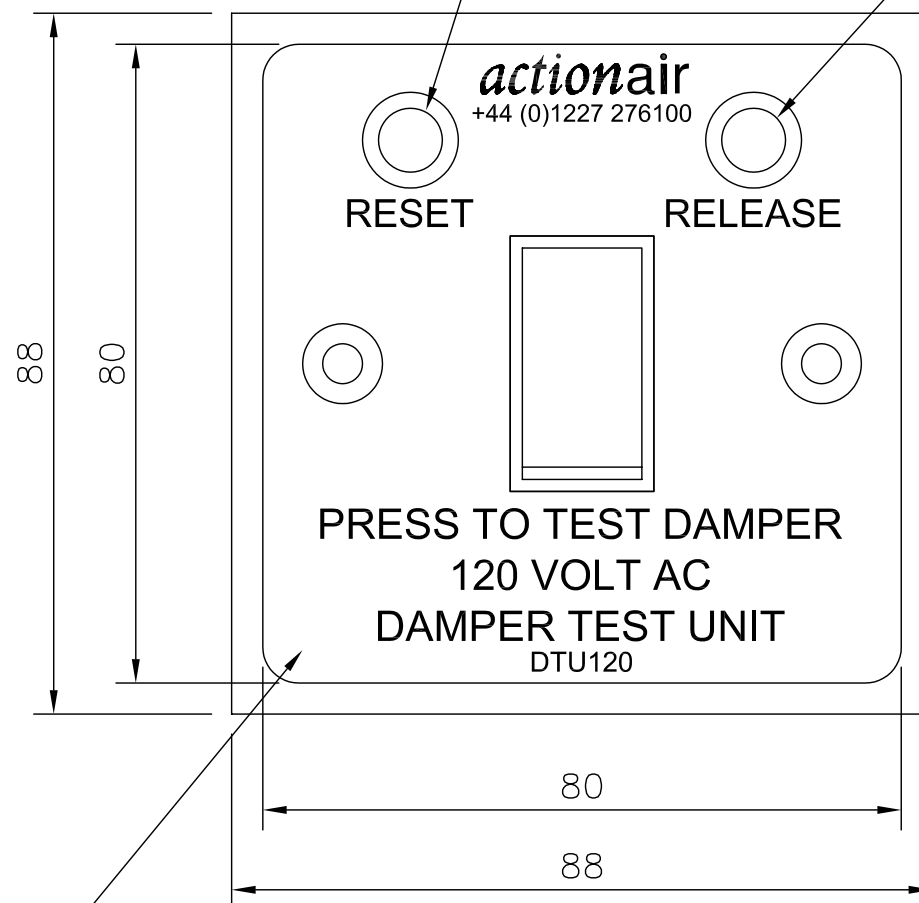
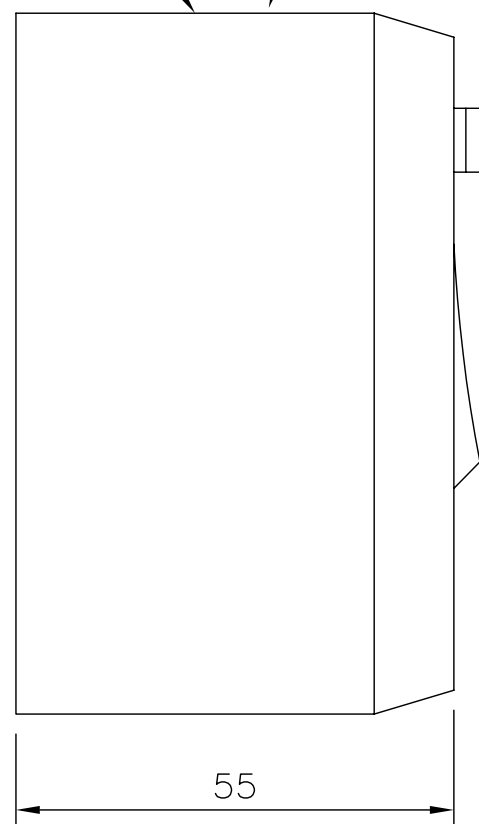
3, FOR TRUE INDICATION, ONE DEVICE PER DAMPER / SECTION IS REQUIRED.

120V WARNING STICKER FITTED TO TOP FACE. LNNN00284

DAMPER TEST UNIT ASSEMBLY JNNN00063

GREEN LED

RED LED



POLYCARB DECAL FITTED TO FACIA PANEL. (LPNN00015)

Rev	Change	Initials	Dates
A	ENGRAVED FACIA CHANGED TO POLY CARB DECAL	S.W.	09/06/2005
Drawn By		A.M.	06/06/2002
Checked By		J.H.	04/08/2005
Approved By		S.W.	04/08/2005
Customer		N/A	
Part No:		XNNN00305	
Title		DAMPER TEST UNIT. 120 VOLT. (DTU120).	

Drawing No.	Revision
AA/F 9026	A