

actionair

©RUSKIN AIR MANAGEMENT LIMITED
 South Street, Whitstable
 Kent CT5 3DU
 Telephone: 01227 276100
 Facsimile: 01227 264262
 www.actionair.co.uk

Notes:

1, FOR WIRING DIAGRAM & PART NUMBERS, REFER TO DRAWING AA/F 9674

2, 6.35mm ϕ HOLES REQUIRED FOR LED'S

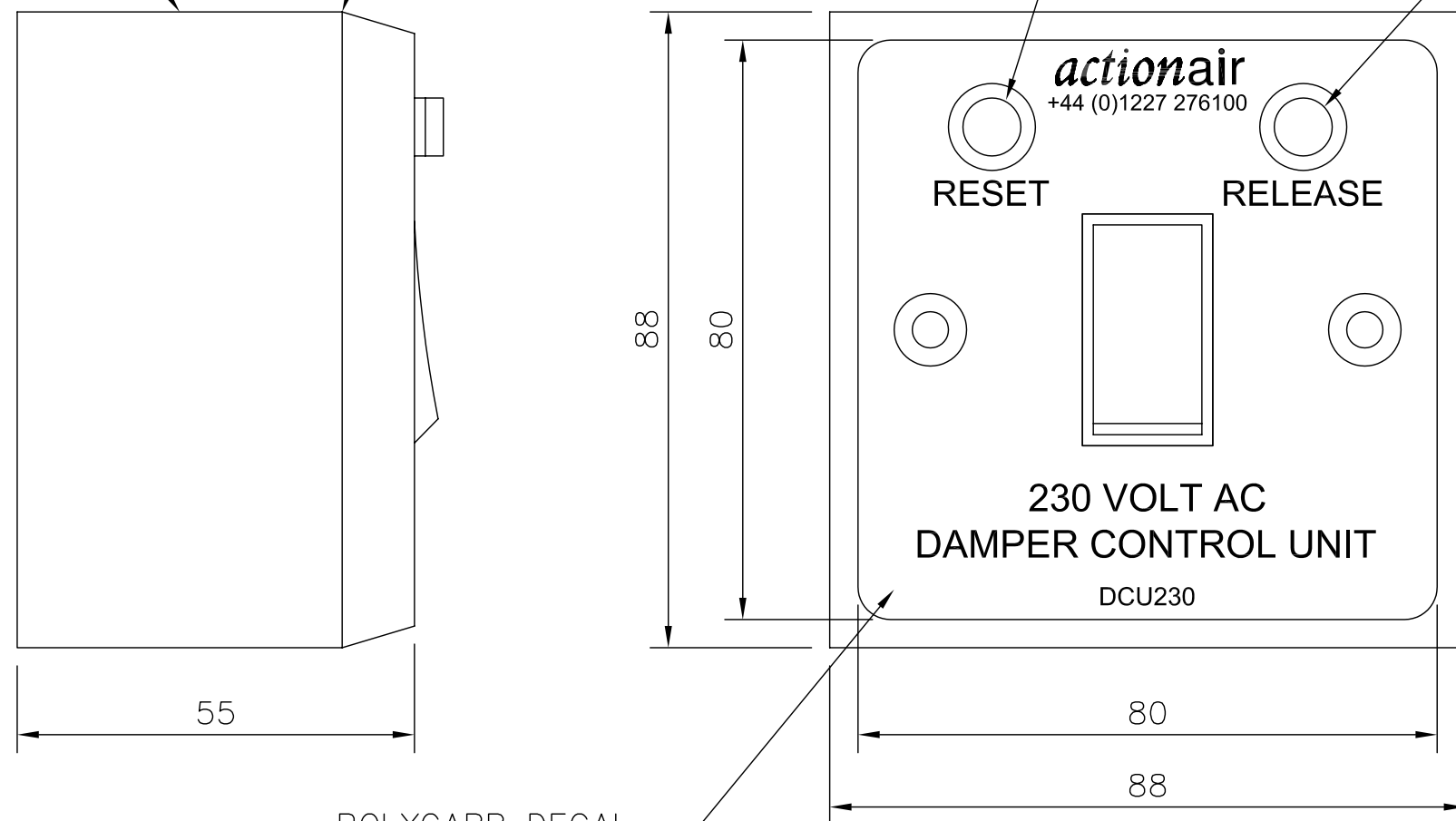
3, FOR TRUE INDICATION, ONE DEVICE PER DAMPER / SECTION IS REQUIRED.

230V WARNING STICKER FITTED TO TOP FACE. LNNN00074

DAMPER CONTROL UNIT ASSEMBLY JNNN00061

GREEN LED

RED LED



POLYCARB DECAL FITTED TO FACIA PANEL. (LPNN00287)

Rev	Change	Initials	Dates

Drawn By	S.W.	06/06/2005
Checked By	J.H.	04/08/2005
Approved By	S.W.	04/08/2005
Customer	N/A	
Part No:	XNNN00311	

Title DAMPER CONTROL UNIT. 230 VOLT. (DCU230).

Drawing No.	Revision
AA/F 6487	A