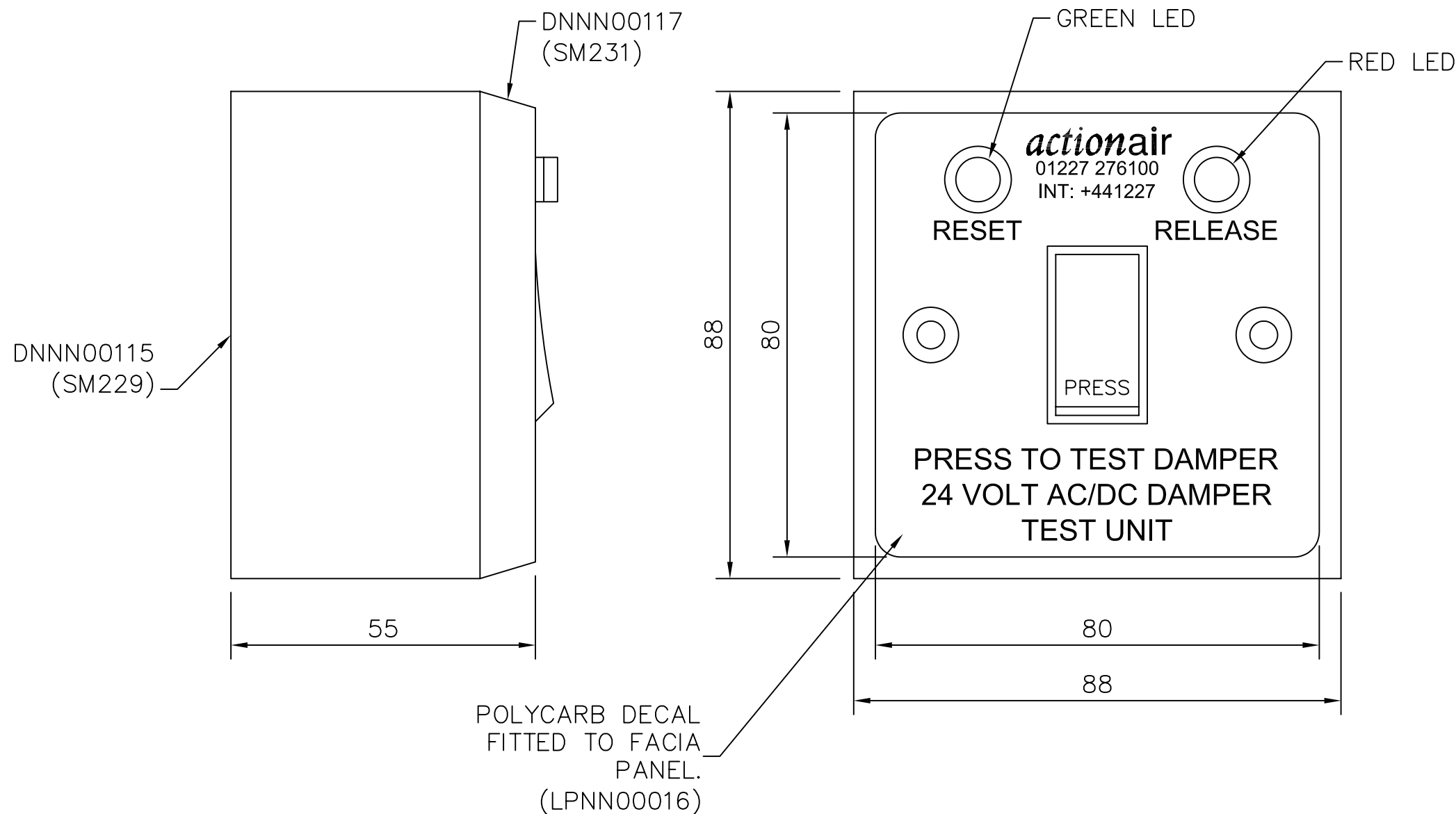


actionair

©RUSKIN AIR MANAGEMENT LIMITED
 South Street, Whitstable
 Kent CT5 3DU
 Telephone: 01227 276100
 Facsimile: 01227 264262
 www.actionair.co.uk

Notes:
 FOR WIRING DIAGRAM & PART NUMBERS, REFER TO DRAWING AA/F 1497



Rev	Change	Initials	Dates
F	ENGRAVING CHANGED TO POLY CARB DECAL	S.W.	09/07/04
E	INFORMATION UPDATED		13/02/01
D	NEW LOGO		02/03/95
C	6.35mm HOLES WERE 6mm		25/06/92
B	6.5mm HOLES WERE 6mm		08/05/92
A	88mm WAS 82mm		31/01/92

Drawn By	M.B.B.	02/03/91
Checked By	J.H.	17/11/04
Approved By	M.B.	17/11/04
Customer	N/A	
Project	N/A	

Title
 24 VOLT DAMPER TEST UNIT

Drawing No.	Revision
AA/F 1519	F