

actionair

©RUSKIN AIR MANAGEMENT LIMITED
 South Street, Whitstable
 Kent CT5 3DU
 Telephone: 01227 276100
 Facsimile: 01227 264262
 www.actionair.co.uk

Notes:

1, FOR WIRING DIAGRAM & PART NUMBERS, REFER TO DRAWING AA/F 1498

2, 6.35mm Ø HOLES REQUIRED FOR LED'S

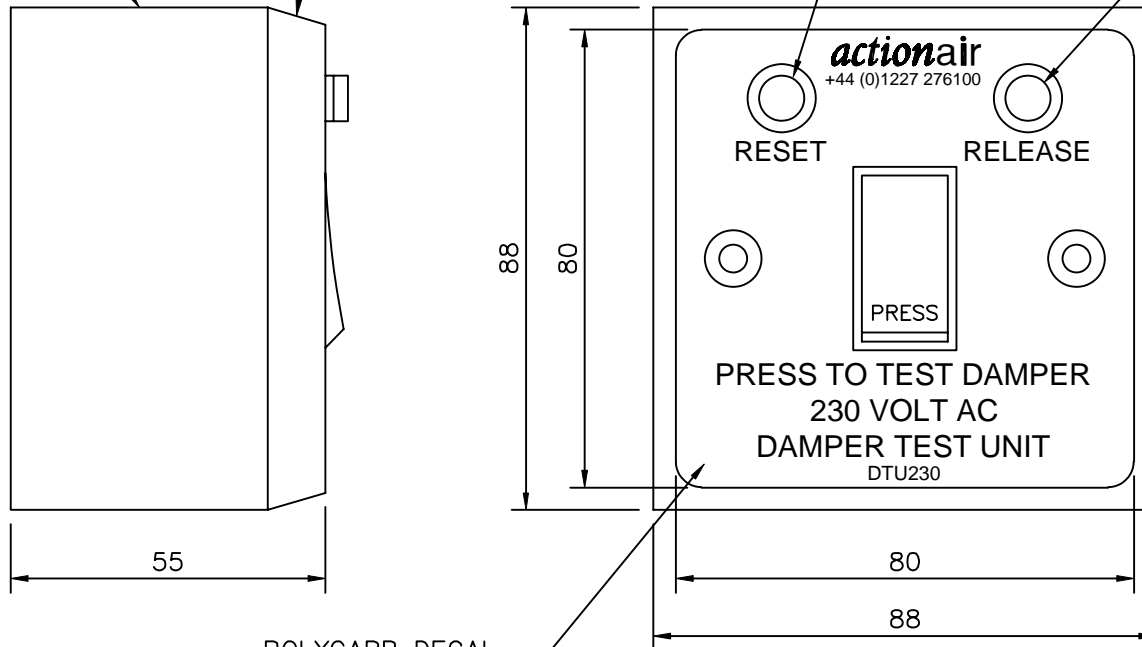
3, FOR TRUE INDICATION, ONE DEVICE PER DAMPER / SECTION IS REQUIRED.

230V WARNING STICKER FITTED TO TOP FACE. LNNN00074 (SM310)

DAMPER TEST UNIT ASSEMBLY JNNN00063

GREEN LED

RED LED



POLYCARB DECAL FITTED TO FACIA PANEL. (LPNN00014)

Rev	Change	Initials	Dates
I	ENGRAVING CHANGED TO POLY CARB DECAL	S.W.	08/06/05
H	VOLTAGE CHANGED TO 230V		16/01/04
G	INFORMATION UPDATED		13/02/01
F	8mm HOLES WERE 6.35mm		16/01/96
E	NEW LOGO		02/03/95
D	6.35mm HOLES WERE 6.5mm		25/06/92
Drawn By		M.B.B.	02/03/91
Checked By		J.H.	04/08/2005
Approved By		S.W.	04/08/2005
Customer		N/A	
Part No:		DNNN00029	

Title DAMPER TEST UNIT.
 230 VOLT. (DTU230)

Drawing No. AA/F 1490 Revision 1