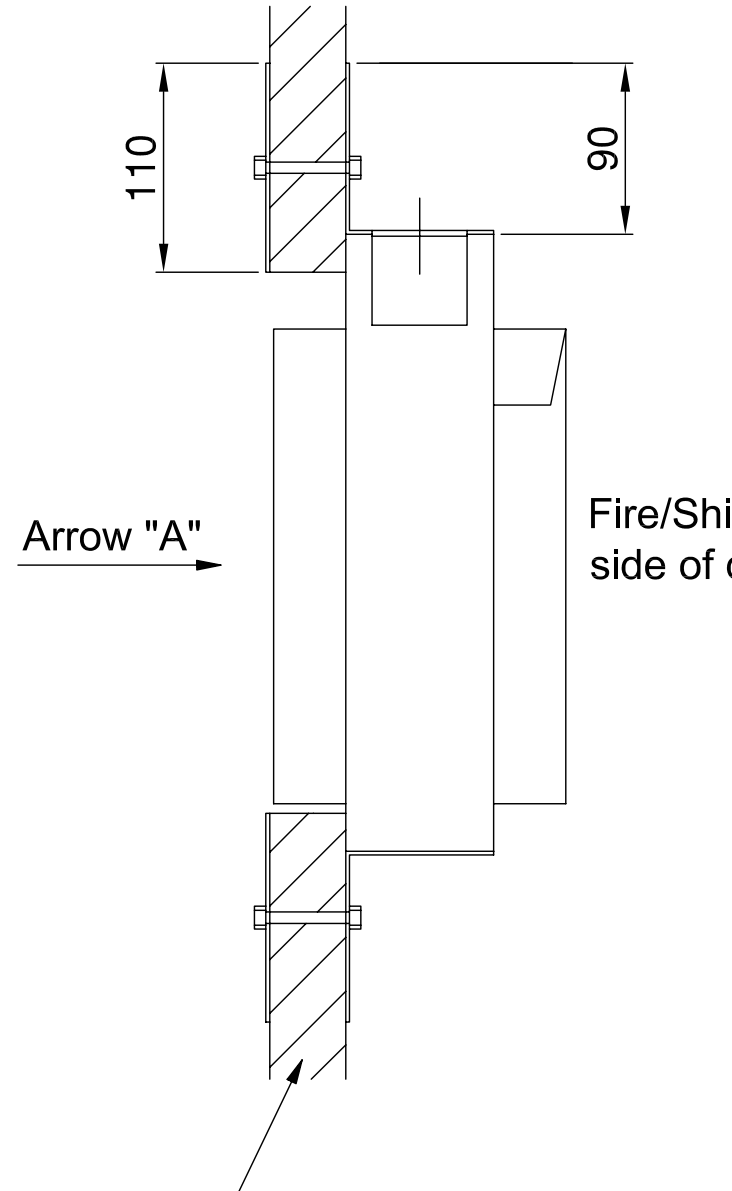
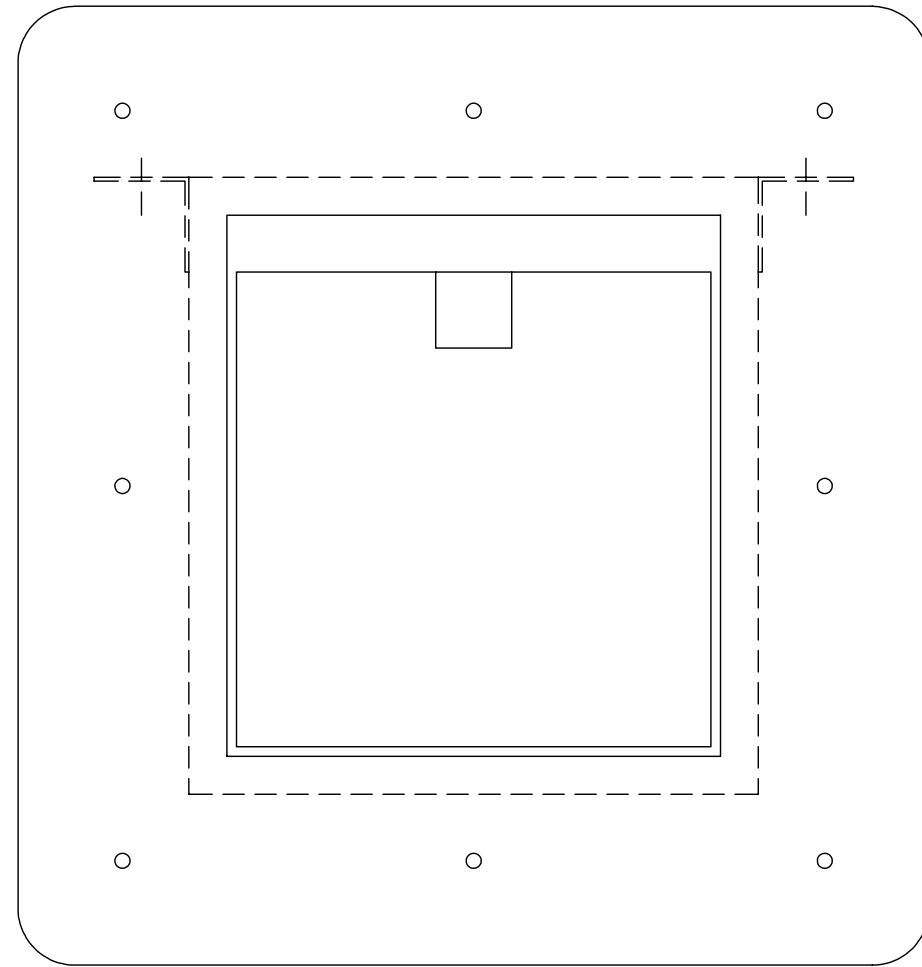


Suggested method of fixing Fire/Shield damper to a flexible Smoke Curtain.



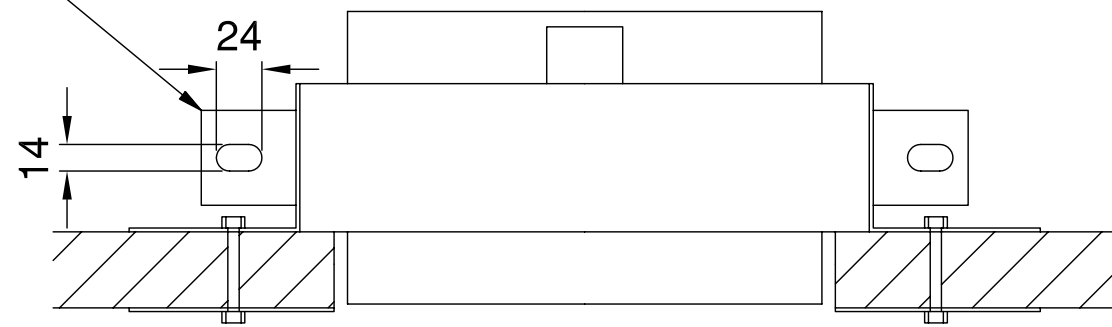
Fire/Shield cassette side of damper.

Smoke curtain "sandwiched" between both flanges, (flanges supplied by Actionair and shrink wrapped to main assembly for delivery purpose).



View on Arrow "A"

50 x 50 x 3mm angle cleats welded flush with top of damper c/w slot, as per AA/F0244.



Plan View

Notes:

90 x 78 x 1.2mm Galv' angle flange welded to damper casing on all four sides flush with front edge as shown. (Refer to drawing AA/F9462 for flange welding detail)

110mm wide x 1.2mm, Galv' flange, undrilled, supplied loose for fixing on site by others.

These flanges are to be fixed together as shown by bolting at 100mm centres. (Nuts, bolts and fixing holes by others).

This arrangement is subject to local authority or district surveyor approval.

Rev	Change	Initials	Dates
C	25mm RETURN REMOVED FROM NOTES & CLEAT UPDATED	S.W.	24/01/2006
B	INFO UPDATED	.	12/02/2001
A	SHRINK WRAP NOTE ADDED	.	19/03/1993
Drawn By		M.T.	27/06/91
Checked By		S.W.	30/01/2006
Approved By		L.M.	30/01/2006
Customer		.	
Project		.	

Title
 GENERAL ARRANGEMENT FOR FIRE/SHIELD SMOKE CURTAIN
 Drawing No. AA/F 1351
 Revision C