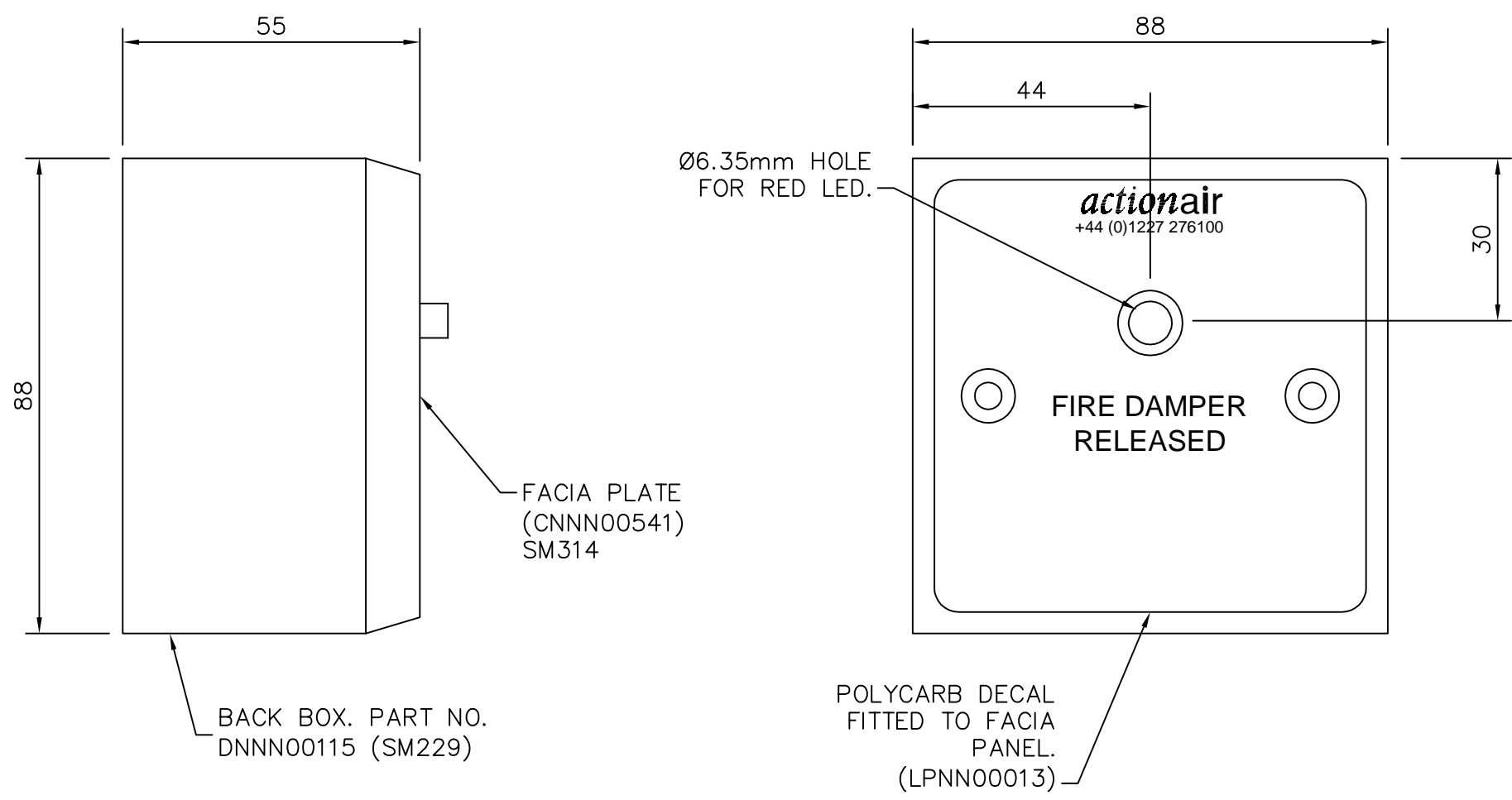
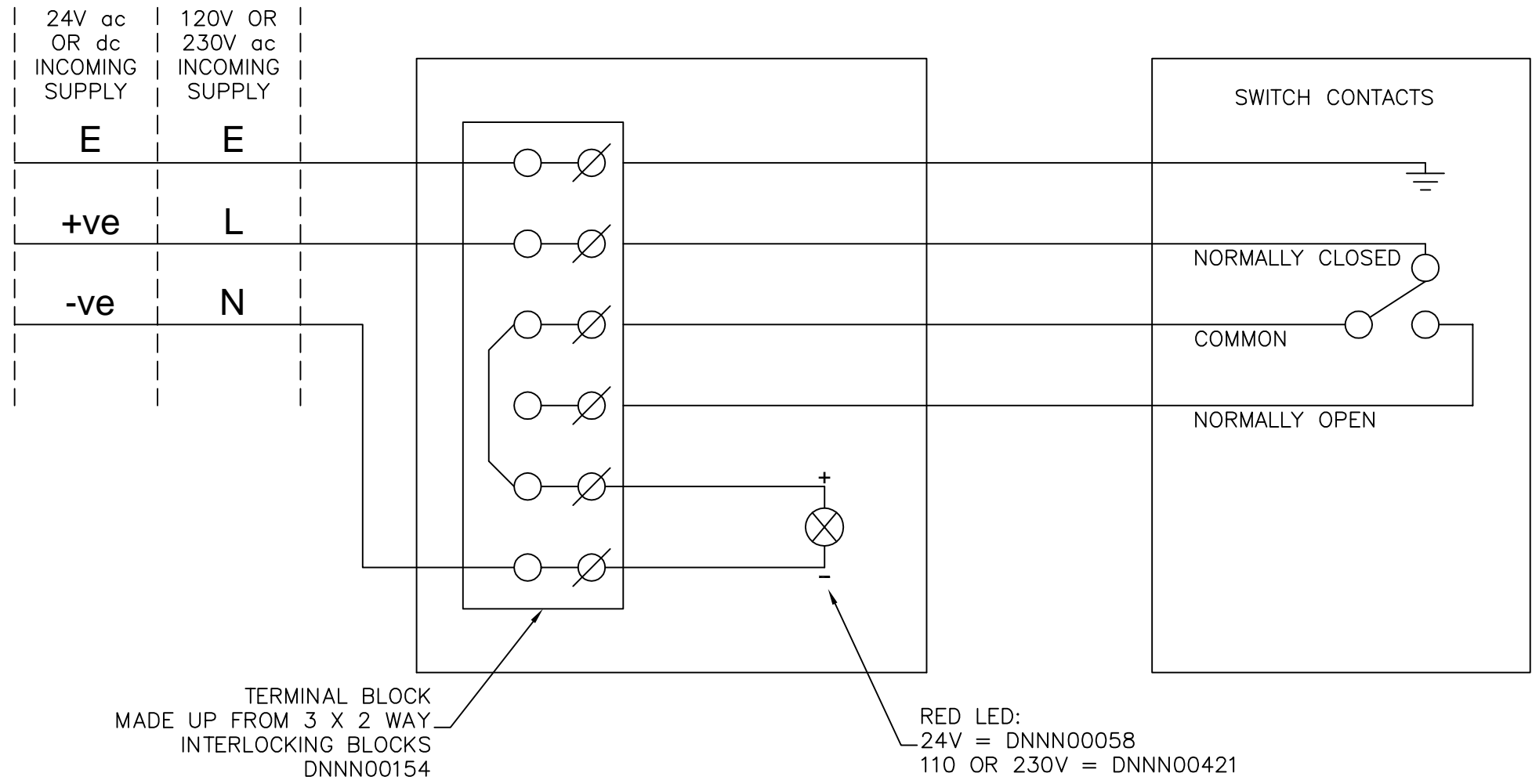


# actionair

© RUSKIN AIR MANAGEMENT LIMITED  
 South Street, Whitstable  
 Kent CT5 3DU  
 Telephone: 01227 276100  
 Facsimile: 01227 264262  
 www.actionair.co.uk



- Notes:**
- 1/ RED LED PREWIRED TO TERMINAL WITHIN.
  - 2/ FOR TRUE INDICATION, ONE DEVICE PER DAMPER / SECTION IS REQUIRED.
  - 3/ SUPPLIED WITH 6 WAY TERMINAL BLOCK.
  - 4/ THIS UNIT CAN BE USED WITH :  
 SMOKE/SHIELD MODE1  
 FIRE SHIELD (SINGLE POLE MICRO SWITCH)  
 TRANSHIELD MODE 1+ 2 (SINGLE POLE MICRO SWITCH)



Rev	Change	Dates
C	TERMINAL BLOCK CHANGED	08/09/200
B	TERMINAL BLOCK CHANGED	31/07/200
A	NOTES & P/NUMS ADDED	22/10/200
Drawn By S.W.		06/08/200
Checked By S.W.		08/09/200
Approved By P.C.C.		08/09/200
Customer .		
Part Numbers: XNNN00592 : 110v or 230v XNNN00647 : 24v		

Title  
 DAMPER RELEASED, STATUS  
 INDICATION (FDRSI) 24v, 120v & 230

Drawing No. AA/F/10085 Revisor C