

# actionair

© RUSKIN AIR MANAGEMENT LIMITED  
 South Street, Whitstable  
 Kent CT5 3DU  
 Telephone: 01227 276100  
 Facsimile: 01227 264262  
 www.actionair.co.uk

Notes:

FOR CORRECT INSTALLATION METHOD PLEASE REFER TO DRAWING RD14520 WHICH DETAILS FIRE TEST 212065 11/04/2003.

2 OFF 50 X 50 X 3MM CLEATS WELDED ON CENTRELINE IN POSITION SHOWN COMPLETE WITH SLOTS.

FOR MULTIPLE ASSEMBLY DAMPERS, AN ANGLE CLEAT WILL BE WELDED AS SHOWN ON CENTRELINE OF CASING. DAMPERS & JOINING CHANNELS WILL BE SUPPLIED LOOSE, FOR ON SITE ASSEMBLY, BY OTHERS.

THIS DRAWING HAS BEEN PREPARED ON INFORMATION GIVEN TO RUSKIN AIR MANAGEMENT LTD.

THIS METHOD WOULD BE SUBJECT TO THE SCRUTINY AND APPROVAL FROM THE RELEVANT DISTRICT SURVEYOR / LOCAL AUTHORITY PRIOR TO APPROVING AND ORDERING THE PRODUCT DETAILED IN THIS DRAWING. THIS DRAWING IS NOT INTENDED TO ENDORSE THE ARRANGEMENT AS BEING SUITABLE FOR IT'S INTENDED APPLICATION.

THE INFORMATION SHOWN IS SUBJECT TO CHANGE WITHOUT NOTICE DUE TO CONTINUING RESEARCH AND DEVELOPMENT.

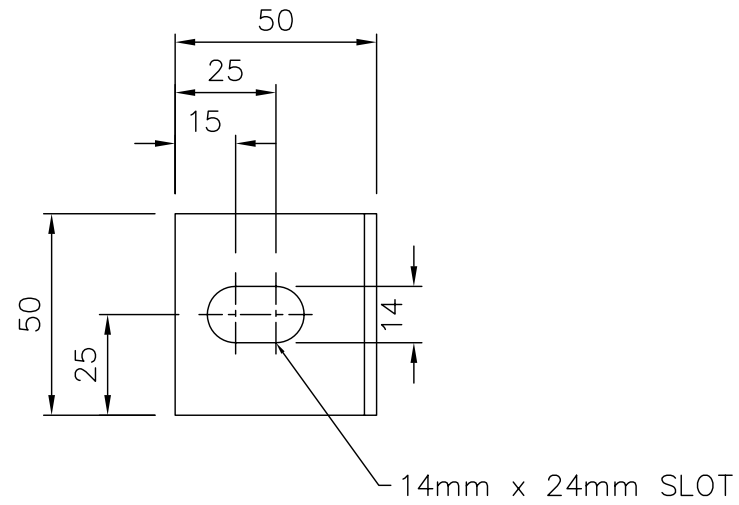
Rev	Change	Initials	Dates
G	NEW CLEAT ADDED, NOTES & TITLE CHANGE	S.W.	12/01/06
F	JOINING CHANNEL DETAILS ADDED	S.W.	18/04/05
E	INFORMATION UPDATED.	A.M.	19/03/02
D	INFORMATION UPDATED.	A.M.	13/02/01
C	HOLE DIAMETER CHANGED FROM 11mm TO 14mm.	M.T.	01/02/93
B	REDRAWN	M.T.	01/02/93

Drawn By	M.T.	02/05/92
Checked By	S.W.	12/01/06
Approved By	L.M.	13/01/06
Customer	N/A	
Project	N/A	

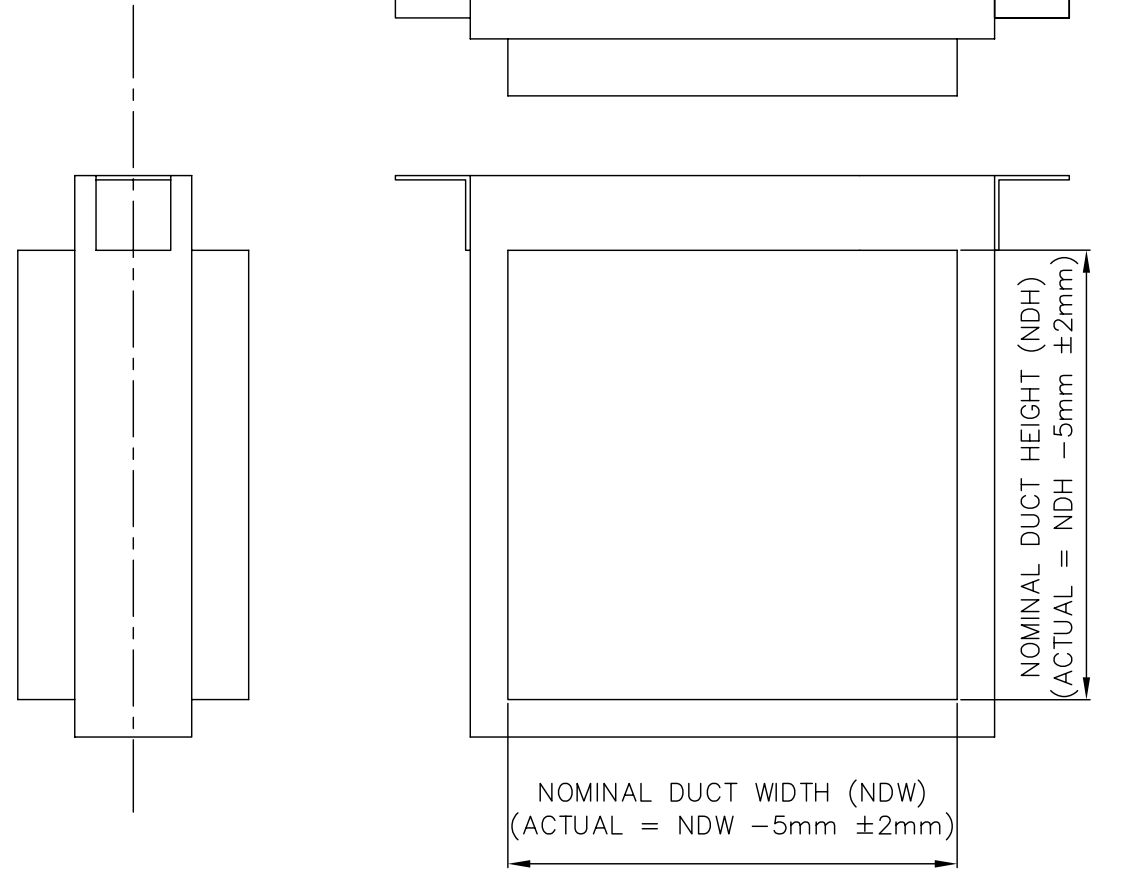
Title DWFX-C G.A. FOR WELDED ANGLE CLEAT.

Drawing No. Revision

AA/F 0244 G



14mm x 24mm SLOT  
 CLEAT DETAIL. (SF028)



VIEW THROUGH A-A

