

Actionair Access/Shield Series O

Removable Insulated Access Doors

Application

The Access/Shield Series O Oval type access doors are designed for inclusion in insulated or uninsulated ductwork, for access to dampers, duct cleaning inspection and maintenance purposes.

Features and Design Guide

Choice of five sizes.

Suitable for flush fitting or surface mounting to the ductwork.

Positive cam and lock fastening.

Pre-punched holes for ease of installation.

Safety retaining chain.

Manufactured from galvanised steel.

Approvals

Complies with the latest DW144 leakage specification.

Specification

Door

The door is a two panel design for a strong and robust assembly. The inner and outer panels are manufactured from pressed galvanised mild steel (0.56mm for Sizes AS/O 1, 2 and 3 and 0.7mm for Sizes AS/O 4 and 5).

The standard thickness is 25mm nominal.

Insulation

The insulation which is totally contained between the door panels, has excellent thermal, acoustic and fire resisting properties, with a thermal density of 40 kg/m³.

Seal

The extruded seal with welded seam incorporating an integral flexible "hollow tube", ensures a low leakage performance and is fitted between the two door panels for strength and stability.

Frame

The pressed one piece combined flange/frame is manufactured from galvanised mild steel (0.56mm for Sizes AS/O 1, 2 and 3 and 0.7mm for Sizes AS/O 4 and 5). Both the inner and outer flanges are pre-punched for easy on site installation.

Latches

The Zinc plated steel progressive cam fasteners and clamps (two sets for Sizes AS/O 1 and 2, four sets for Sizes AS/O 3 and six sets for Sizes AS/O 4 and 5) positioned at strategic locations for optimum closure and low leakage.

Security Chain

A retaining safety chain is fitted to both door and frame.

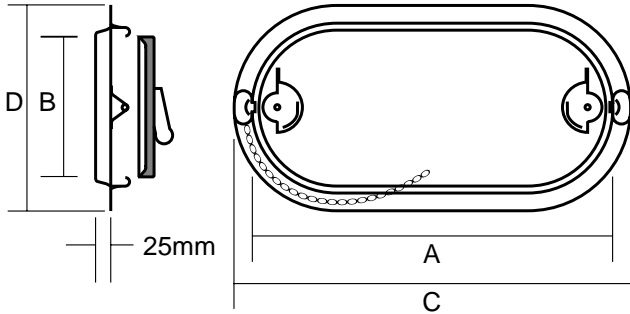
Product Range

The product range includes five sizes of door in the following flat oval arrangements:-

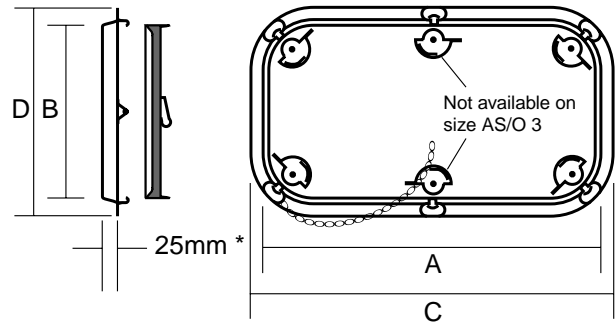
Size	Approx Weight (kg)
200mm x 125mm	0.7
300mm x 150mm	1.2
460mm x 260mm	2.2
550mm x 360mm	3.4
650mm x 450mm	4.3

Dimensional Data

Sizes AS/O1 and AS/O2

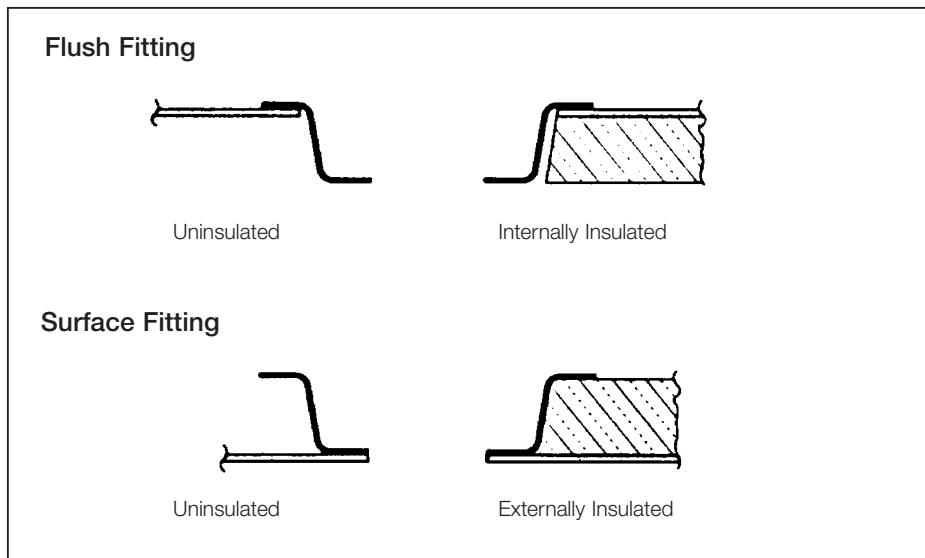


Sizes AS/O3, AS/O4 and AS/O5



SIZE	AS/O 1	AS/O 2	AS/O 3	AS/O 4	AS/O 5
	200 x 125 (mm)	300 x 150 (mm)	460 x 260 (mm)	550 x 360 (mm)	650 x 450 (mm)
A	200	300	460	550	650
B	125	150	260	360	450
C	240	350	500	590	690
D	165	200	300	400	490

Mounting Methods



Special Note:

To achieve and maintain a good seal between the access doors and ducting, the ducting may need to be stiffened or reinforced so that bowing or leakage in the area of the access doors does not occur. This will ensure that the access door frames retain their original shape and flatness.

Ordering Procedure

Please specify	Quantity	Series	Type	Door Size
Example	5	Access/shield O	AS/O3	460mm x 260mm

actionair



Actionair, South Street, Whitstable,
Kent CT5 3DU England
Tel: (01227) 276100
Fax: (01227) 264262
International Code: +441227
Email: sales@actionair.co.uk
Website: www.actionair.co.uk

For further information, please refer to Actionair Sales Office.

The information contained herein is subject to change without notice due to continuing research and development