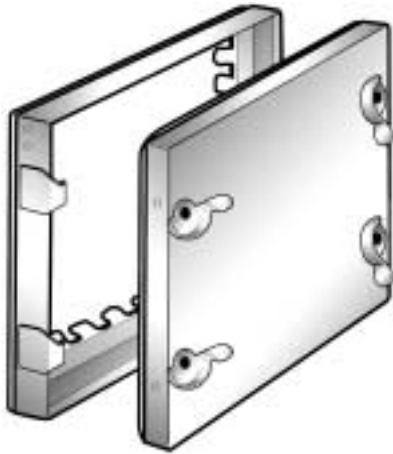


Product Data Sheet AS/T / 10-00



Actionair Access/Shield Series T

Removable Insulated Square and Rectangular
Access Doors with Tab type Fixing

Application

The Access/Shield Series T square and rectangular access doors with Tab type fixing are designed for inclusion in ductwork, for access to dampers, duct cleaning inspection and maintenance purposes.

Features and Design Guide

Choice of seventeen sizes.

Fast and simple installation.

Tab type fixing.

Double skin insulated construction.

Manufactured from galvanised sheet steel.

Positive cam and lock fastening.

Approvals

Complies with the latest DW144 leakage specification.

Introduction

Access/Shield Series T square and rectangular type access doors with Tab type fixing, are available in seventeen sizes for fitting on to ductwork, and provide a fast and efficient means of duct access.

Specification

Door

The door manufactured in galvanised sheet steel and of double skinned construction. 25mm thick.

Insulation

The insulation which is contained between the door panels, has excellent thermal and acoustic properties, with a thermal density of 45 kg/m³.

Seal

The frame incorporates a compression sealing gasket.

Frame

The frames comprise of a folded galvanised steel Z section with castellated edge tabs for folding over into the duct opening, thus there being no need for rivets in fitting the assembly.

Latches

The half turn cam fasteners are positioned at strategic locations for optimum closure, low leakage and quick release for access.

Options

Please contact Customer Service for information on the following options; external flanges to retain duct insulation edges, hinged doors and wire safety tie.

Product Range

The standard product range includes seventeen sizes, from 100mm x 100mm to 600mm x 600mm. Rectangular doors are also included in the standard range.

Standard Product Range

Size/Type	Door Size (mm)	Cutting Hole Size Approximate (mm)	Weight (kg)
AS/T 1010	100 x 100	70 x 70	0.50
AS/T 1015	100 x 150	70 x 120	0.60
AS/T 1020	100 x 200	70 x 170	0.70
AS/T 1515	150 x 150	120 x 120	0.75
AS/T 1520	150 x 200	120 x 170	0.80
AS/T 1530	150 x 300	120 x 270	1.00
AS/T 2020	200 x 200	170 x 170	1.00
AS/T 2030	200 x 300	170 x 270	1.75
AS/T 2040	200 x 400	170 x 370	2.00
AS/T 2525	250 x 250	220 x 220	1.75
AS/T 3030	300 x 300	270 x 270	2.00
AS/T 3045	300 x 450	270 x 420	2.75
AS/T 3060	300 x 600	270 x 570	3.00
AS/T 4040	400 x 400	370 x 370	3.50
AS/T 4060	400 x 600	370 x 570	4.00
AS/T 4545	450 x 450	420 x 420	3.75
AS/T 6060	600 x 600	570 x 570	6.00

Please note rectangular sizes shown can be mounted in either plane i.e. width x higher or by height x width. Please contact our Customer Service office for availability of sizes not shown.

Ordering Procedure

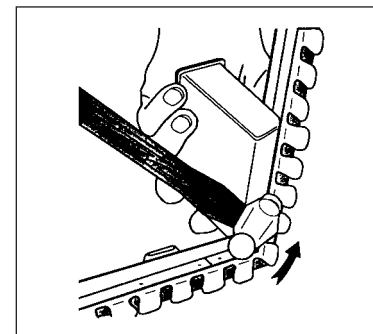
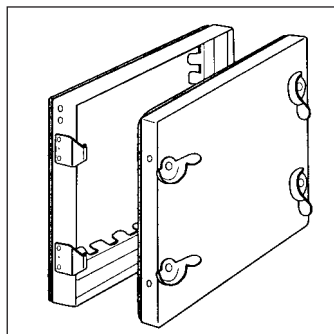
Please specify	Quantity	Series	Series Type	Door Thickness	Door Size
Example	5	Access/Shield T	AS/T 4040	25mm	400mm x 400mm

Installation Method

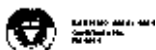
Cut a hole in the ductwork 30mm under door size, (e.g. AS/T 1515 door size = 150mm x 150mm, therefore cutting hole size = 120mm x 120mm).

Fit the frame into the hole in the duct and whilst compressing the frame gasket, knock over the edge tabs using a dolly and hammer as shown right.

Please note: the data contained herein is for general information only.



actionair



South Street, Whitstable,
Kent CT5 3DU England
Tel: (01227) 276100
Fax: (01227) 264262
International Code: +441227
Email: sales@actionair.co.uk
Website: www.actionair.co.uk

For further information, please refer to the Actionair Access/Shield product catalogue or contact our Customer Service Office.

The information contained herein is subject to change without notice due to continuing research and development.